



## PRODUCTS

LOCATION: [HOME](#) > [PRODUCTS](#) > [CONTROLS](#) > [TYPES](#)

### Main Menu

[Nozzles and Jets](#)  
[Fountain In A Can™](#)  
[Bronzes](#)  
[Fountain Lighting](#)  
[LED Lighting](#)  
[Fountain Fittings](#)  
[Controls](#)

[CPL-3000T](#)  
[CWW-002](#)  
[CWS-075](#)  
[CPL-WF](#)  
[CPL-WFC](#)  
[CWL-002C](#)  
[CWL-002W](#)  
[CWL-002WD](#)  
[RW-56-1](#)  
[RVS Series](#)

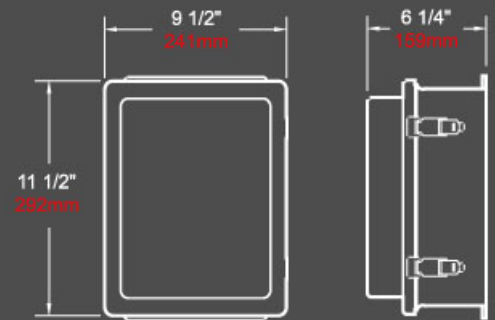
[Modular Systems](#)

### CWW-002

#### Multi-Function Electronic Wind and Water Level Control System

The CWW-002 is a cost-effective controller that provides both multiple stage wind and water level control capability.

- PLC based and pre-programmed.
- Mounted in NEMA-4X enclosure.
- 4 x 12 digital operator display.
- Operates on 100-240 volt, 50 or 60 hertz power.
- Single and 2-stage wind control.
- Supplied with CWS-075 wind speed sensor.
- Dual level water level control and low water cut-off. (Order CWL-302P probe and sensor housing separately.)
- Underwriters Laboratories Listed for safety.



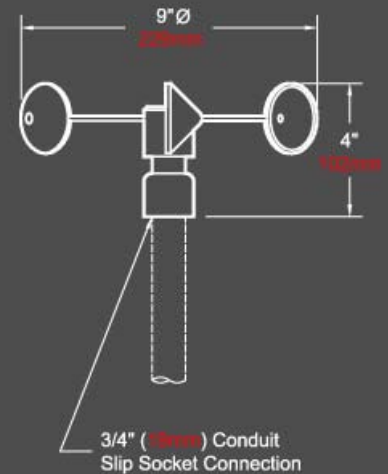
### CWS-075

#### Wind Speed Sensor

The CWS-075 is designed for use with both the CPL-3000T Fountain Control Panel and the multi-function CWW-002 Control System.

- Rotating cup type anemometer.
- Aluminum construction with stainless steel bearings and an integral 30 foot cable.
- Rated for 100 MPH wind speed with a 1 MPH starting threshold.
- Adapts to 3/4" PVC conduit.

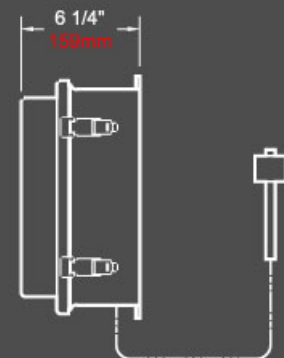
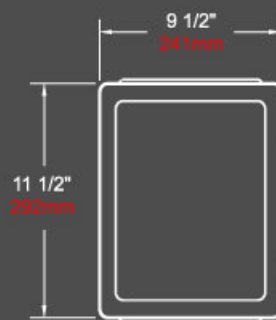
Note: Anemometer should be mounted in an area which experiences the same wind conditions as the water feature



## CPL-WF

### Single Function Water Level Control

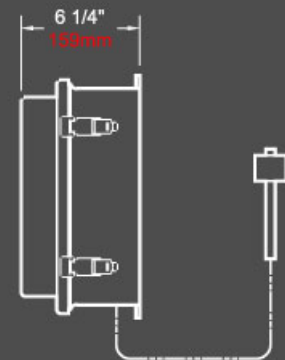
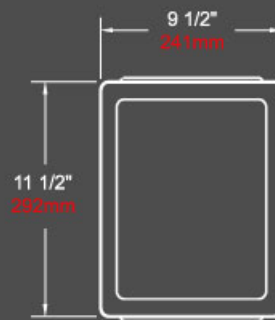
- Single function operation - water fill or low water cut-off.
- Housed in a NEMA-4X enclosure.
- Operates on 100-240 volt, 50 or 60 hertz power.
- Provides safe 10 volt signal to sensor probe.
- Supplied with sensor, (select appropriate probe housing).
- Pre-wired and tested.
- Requires a 120 VAC Class A GFCI protected power supply in the USA.
- Underwriters Laboratories Listed for safety.



## CPL-WFC

### Dual Function Water Level Control

- Dual function operation - water fill and low water cut-off.
- Housed in a NEMA-4X enclosure.
- Operates on 100-240 volt, 50 or 60 hertz power.
- On-Off-Auto switch allows easy over-ride for pool maintenance.
- Water fill and low water cut-off pilot lights furnished to indicate system status.
- Provides safe 10 volt signal to sensor probe.
- Supplied with dual function sensor and 30 feet of integral cable (select appropriate probe housing from pg. 89).
- Pre-wired and tested.
- Requires a 120 VAC Class A GFCI protected power supply in the USA.
- Underwriters Laboratories Listed for safety.



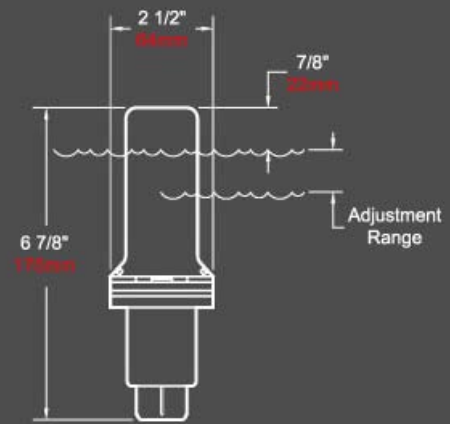
## CWL-002C

### Conduit Mounted Sensor Housing

The CWL-002C provides a low profile for in pool mounting of sensor probes.

- Spun brass cover with natural finish.
- Cast bronze base with 1/2" threaded conduit connection.
- Sensor adjustment range is 1/4" for dual and 1-1/4" for single function probes.



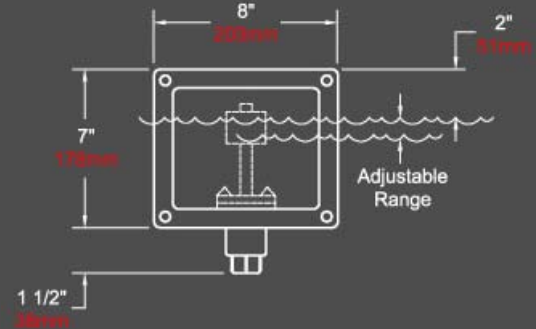
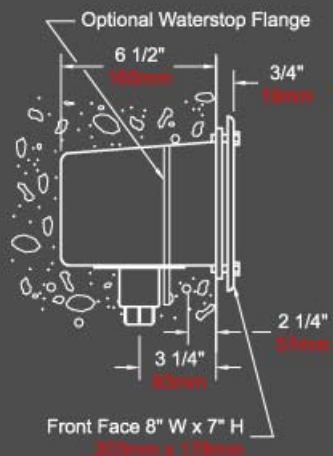


## CWL-002W

### Wall Mounted Sensor Housing

The CWL-002W offers an unobtrusive wall mounted configuration.

- Cast bronze housing with 1/2" threaded conduit connection.
- Cast bronze face plate with natural finish.
- Sensor adjustment range is 1/2" for dual and 1-1/2" for single function probes.
- For optional integral waterstop flange, add suffix *-WS* to catalog number.

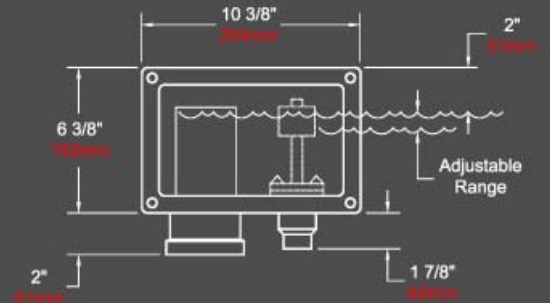
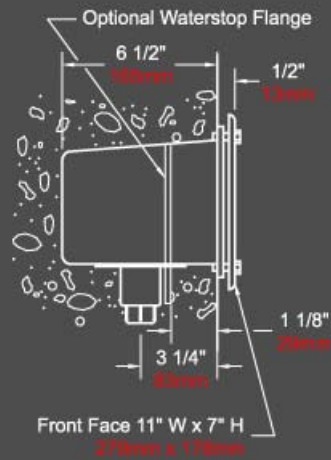


## CWL-002WD

### Wall Mounted Overflow and Sensor Housing

The flush wall mounted CWL-002WD combines a sensor mounting housing with an adjustable overflow drain fitting.

- Cast bronze housing with 1/2" threaded conduit connection and 3" FPT drain outlet.
- Cast bronze face plate.
- Adjustable internal overflow standpipe
- Sensor adjustment range is 1/2" for dual and 1-1/2" for single function probes.
- For optional integral waterstop flange, add suffix *-WS* to catalog number.

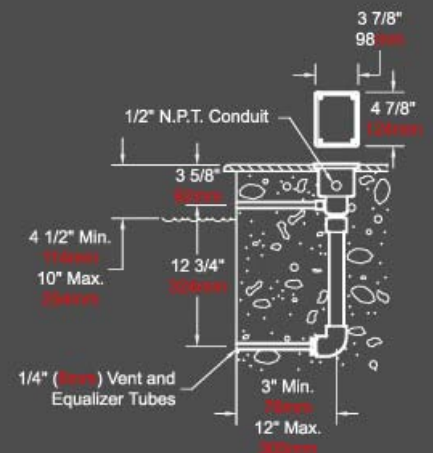
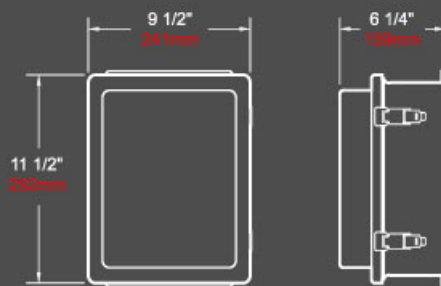


## RW-56-1

### Single Function Water Level Control

The RW-56-1 is designed to use a resistive type probe with no moving parts.

- Single function operation - water fill or low water cut-off.
- Housed in a NEMA-4X enclosure.
- Operates on 100-240 volt, 50 or 60 hertz power.
- Provides a safe 10 volt signal to sensor probe.
- Sensor is replaceable and may be trimmed to set water level.
- Supplied with 100 feet of sensor wire.
- Probe housing is cast bronze and copper with red brass vent and equalizer tubes.
- Pre-wired and tested.
- Requires a 120 VAC Class A GFCI protected power supply in the USA.
- Underwriters Laboratories Listed for safety.



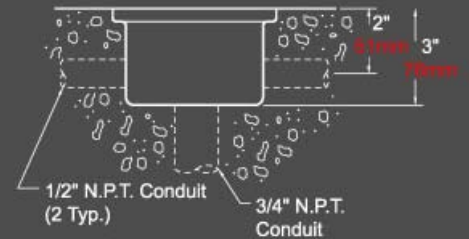
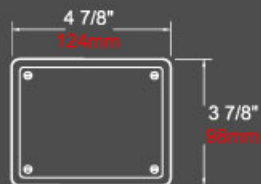
## LJN-1C

### Flush Mounted Underwater Junction Box

The LJN-1C junction box may be used where probe or sensor runs exceed the standard 30 foot cord length.

- Cast bronze construction with stainless steel fasteners.
- Black neoprene lid gasket.
- Underwriters Laboratories Listed for underwater and dry location.

Note: It is recommended that a potted junction box be installed in the conduit run connecting water level sensors to control panels. This will prevent moisture migration from the pool to the control panel.



## RVS-( )

### Solenoid Fill Valve

The RVS Series solenoid fill valve is simple and easy to clean and maintain.

- For use with electronic water fill systems.
- Die cast brass construction with threaded connections.
- 120 volt solenoid is standard.
- Solenoid is Underwriters Laboratories Recognized.



