



MAXWELL™
by Gerber

Oval Self-Rimming Lavatory

Features:

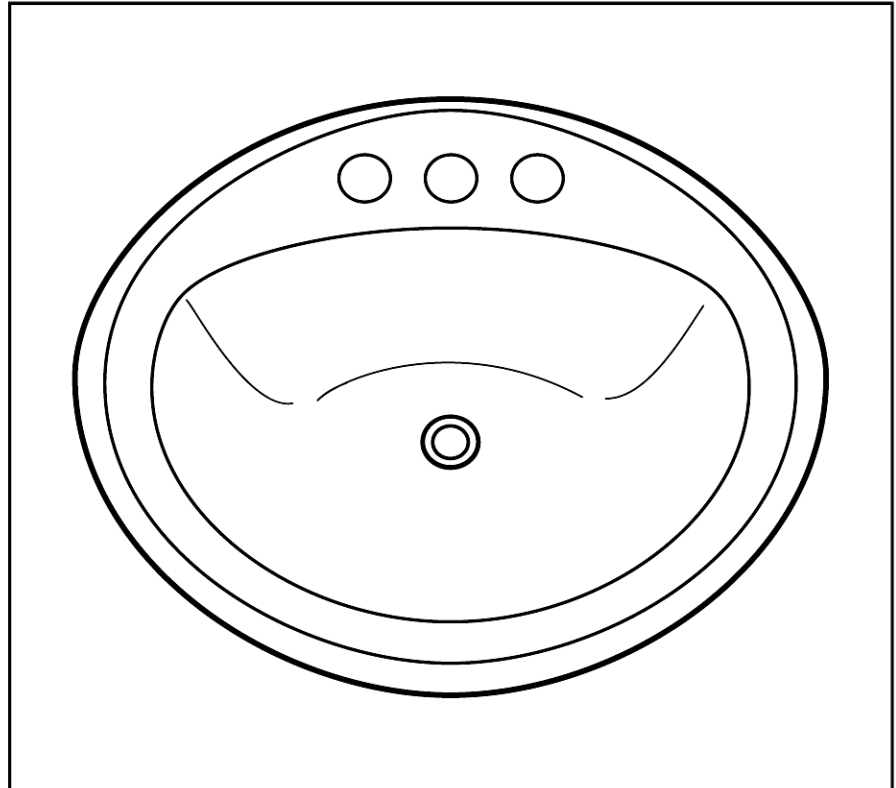
- 20 1/2" x 17" Oval Lavatory
- 1 Hole (12-831/12-831-CH)
- 4" Centers (12-834/12-834-CH)
- 8" Centers (12-838/12-838-CH)
- Concealed Front Overflow
- White, Bone, Biscuit
- ADA Compliant

Dimensions:

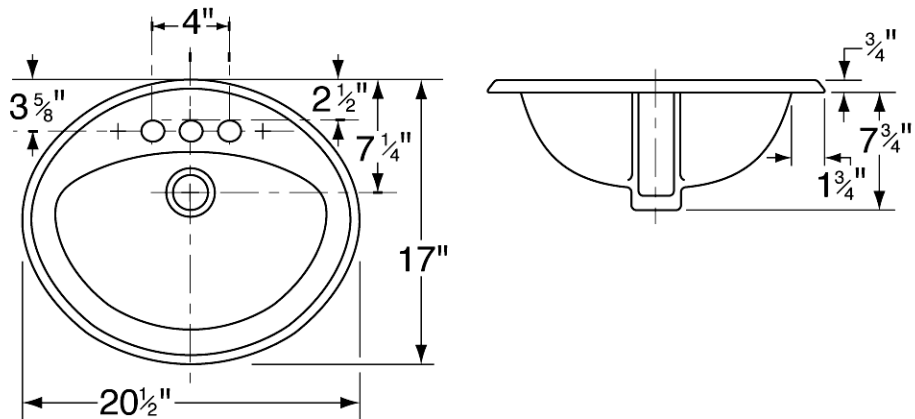
Height.....8 1/2"
Width.....20 1/2"
Depth17"
Shipping Weight..... 20 lbs

Catalog Numbers:

- 12-831/12-834/12-838
Gerber heavyweight ctn. (20/skid)
- 12-831-CH/12-834-CH/12-838-CH
Trapezoid ctn. (24/skid)



Catalog# 12-834 shown



GERBER®

PROFESSIONALLY MADE • PROFESSIONALLY SOLD • PROFESSIONALLY INSTALLED™
Gerber Plumbing Fixtures LLC, 4600 W. Touhy Avenue, Lincolnwood, IL 60712-1699
(847) 675-6570, FAX 1-800-5GERBER (Illinois FAX (847) 675-5192)
www.gerberonline.com

