


Wet-Rotor, In-Line, Single Stage, Maintenance Free, Circulator Pumps

Submittal Data

60 Cycle

	JOB or CUSTOMER:	
	ENGINEER:	
	CONTRACTOR:	
	SUBMITTED BY:	DATE:
	APPROVED BY:	DATE:
	ORDER NO:	DATE:
	SPECIFICATION REF:	

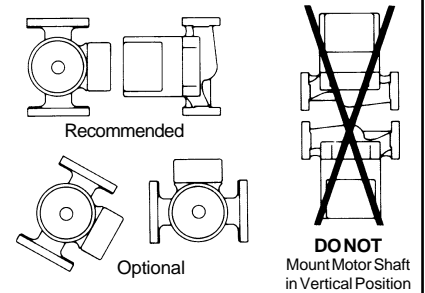
QUANTITY	TAG NO.	MODEL NO.	GPM	FEET	VOLT	PHASE	COMMENTS

Technical Data

FLOW RANGE: 0 to 17 U.S. GPM
HEAD RANGE: 0 to 16 Feet
MOTORS: 2 Pole, Single Phase
MAXIMUM FLUID TEMPERATURE: 150°F (66°C), Maximum design temperature.
MIN. FLUID TEMPERATURE for UP15: 36°F (2°C)
TIMER: 24 hours 3 positions (ON/TIMER/OFF) 15 minute interval.
LINE CORD: Six-Foot 18-3 with 5-15P grounded plug.
MAXIMUM WORKING PRESSURE: 145 PSI
MINIMUM REQUIRED INLET PRESSURE: At 150°F (66°C), 3.0 Ft. (0.9m) 1.3 PSI.

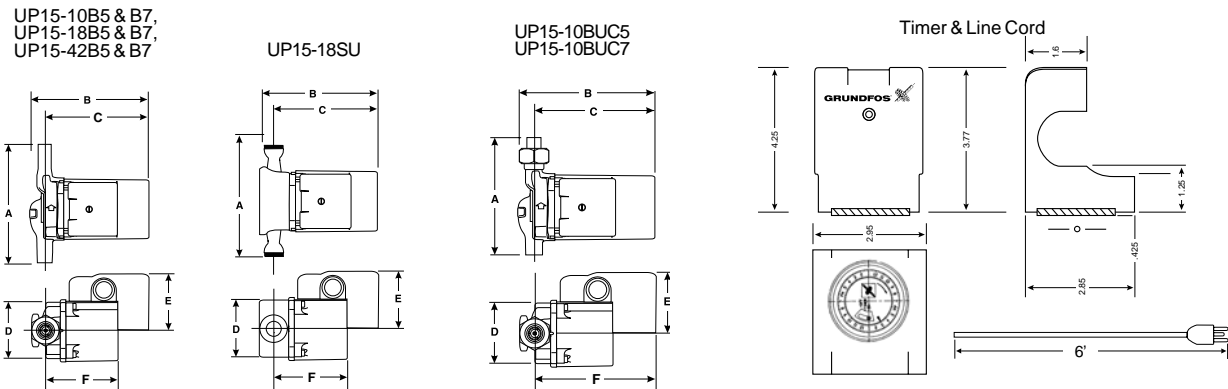


Mounting Positions



FOR INDOOR USE ONLY

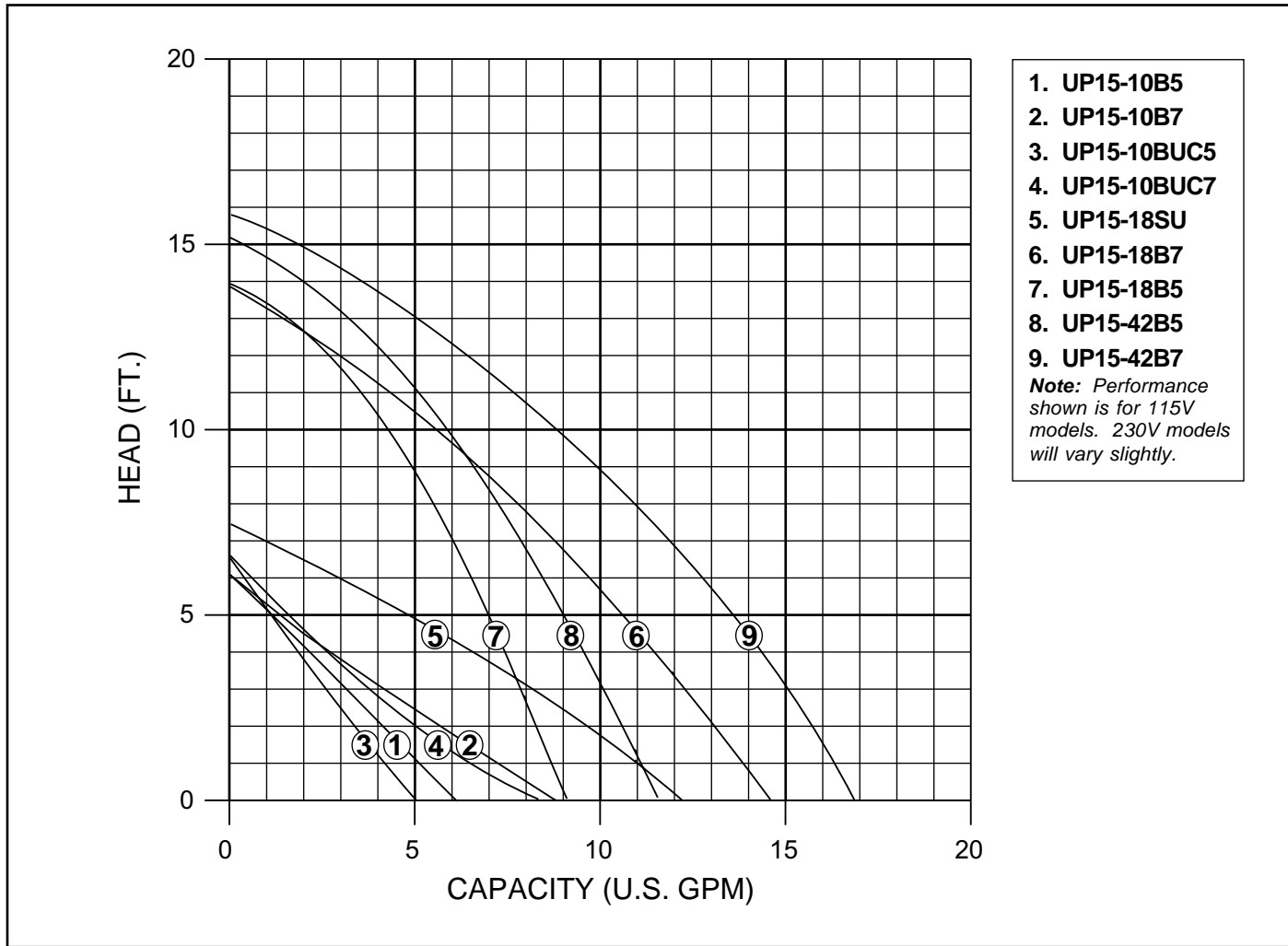
Dimensions, and Weights



TIMER & LINE CORD MODELS	A	B	C	D	E	F	Connection Type and Size	Shipping Wt. (Lbs.)
UP15-10B5/LC & TLC	5	6 ³ / ₁₆	5 ¹ / ₂	4	3 ¹ / ₂	4	Sweat – 1/2"	6.5
UP15-10B7/ LC & TLC	6 ³ / ₈	6 ⁵ / ₈	5 ¹ / ₂	3 ¹³ / ₁₆	3 ¹ / ₄	4	Sweat – 3/4"	7.2
UP15-18B5/LC & TLC	5	6 ³ / ₁₆	5 ¹ / ₂	3 ¹ / ₂	3 ¹ / ₄	4	Sweat – 1/2"	6.5
UP15-18B7/LC & TLC	6 ³ / ₈	6 ⁵ / ₈	5 ¹ / ₂	3 ¹³ / ₁₆	3 ¹ / ₄	4	Sweat – 3/4"	7.2
UP15-42B5/LC & TLC	5	6 ³ / ₁₆	5 ¹ / ₂	3 ¹ / ₂	3 ¹ / ₄	4	Sweat – 1/2"	6.5
UP15-42B7/LC & TLC	6 ³ / ₈	6 ⁵ / ₈	5 ¹ / ₂	3 ¹³ / ₁₆	3 ¹ / ₄	4	Sweat – 3/4"	7.2
UP15-10BUC5/LC & TLC	6 ¹ / ₂	6 ³ / ₄	5 ¹ / ₂	3 ³ / ₁₆	3 ¹ / ₄	4	Sweat 1/2"	7.7
UP15-10BUC7/LC & TLC	7 ³ / ₄	6 ³ / ₄	5 ¹ / ₂	3 ³ / ₄	3 ¹ / ₄	4	Sweat 3/4"	8.5
UP15-18SU/LC & TLC	5 ⁷ / ₈	6 ⁴ / ₁₆	5 ¹ / ₂	3 ⁷ / ₁₆	3 ¹ / ₄	4	Union – 1 1/4" NPSM	5.5

NOTES: All dimensions are in inches.

Performance *Stainless Steel or Bronze Construction - Flange, Union, or Sweat Mount*



Electrical Data

MODEL	VOLTS	AMPS	WATTS	HP	CAPACITOR	MODEL	VOLTS	AMPS	WATTS	HP	CAPACITOR
UP15-10B5 & B7	115	.55	60	1/25	8μF/180V	UP15-42B5	115	.74	85	1/25	10μF/180V
UP15-18SU & B5	115	.74	85	1/25	10μF/180V	UP15-42B7	115	.74	85	1/25	10μF/180V
UP15-18B7	115	.74	85	1/25	10μF/180V	UP15-10BUC5/7	115	0.55	60	1/25	8μF/180V

Materials of Construction

DESCRIPTION	MATERIAL	DESCRIPTION	MATERIAL
Inlet Cone, Bearing Plate, Bearing Retainers, Rotor Can, Rotor Cladding, Shaft Retainer.	304 Stainless Steel	O'Ring & Gaskets	EP (Ethylene Propylene Rubber)
Pump Housing (Volute) on UP15-18SU/SF		Pump Housing (Volute) for UP15-10B5 & B7, UP15-18B5 & B7, UP15-42B5 & B7, UP15-10BUC5 & B7	Silicone Bronze C875
Volute Retainer (SU Model) & Stator Housing	Aluminum	Impeller	PES Composite (30% Glass Filled)
Shaft, Upper & Lower Radial Bearings	Aluminum Oxide Ceramic	Terminal Box	Noryl®
Thrust Bearing	Metal Impregnated Carbon		



Grundfos Pumps Corporation • 17100 W. 118th Terrace • Olathe, KS 66061

Phone: 913.227.3400 • Fax: 913.227.3500

Canada: Oakville, Ontario • Mexico: Apodaca, N.L.

Visit our website at www.grundfos.com

