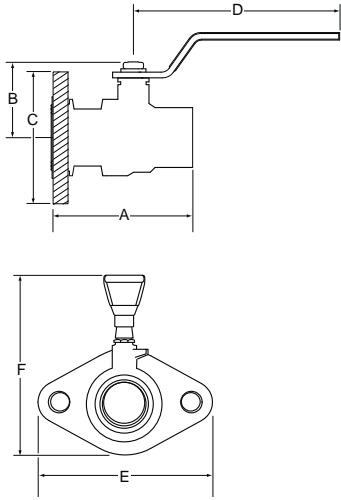


Packaged dielectric isolation valve sets



TM04 9909 0311



TM03 7901 0307

Pump connection	Pipe connection type and size		Approx. shipping weight [lb/oz.] 1 kit	Face to face [A*]	Center of port to top [B*]	Flange diameter [C*]	Center of valve to handle end [D*]
	NPT	Solder		[inch]	[mm / inch]	[inch]	[inch]
GF 15/26 flange	Bronze	1/2"	2 / 13	2 27/32	51 / 2	4 3/16	3 29/64
		3/4"	3 / 2	3 3/64	57 / 2 1/4	4 3/16	3 3/4
		1"	4 / 8	3 35/64	67 / 2 21/32	4 3/16	4 17/32
		1-1/4"	4 / 13	4 1/32	75 / 2 31/32	4 3/16	4 35/64
		1-1/2"	4 / 14	4 7/64	75 / 2 31/32	4 3/16	4 5/8
		1/2"	2 / 12	2 49/64	51 / 2	4 3/16	3 15/32
		3/4"	3 / 4	3 1/4	57 / 2 1/4	4 3/16	3 47/64
		1"	4 / 8	3 55/64	67 / 2 21/32	4 3/16	4 1/2
		1-1/4"	4 / 13	4 1/2	75 / 2 31/32	4 3/16	4 35/64
		1-1/2"	4 / 15	4 37/64	75 / 2 31/32	4 3/16	4 9/16

Note: Each set contains
 2 each - rotating flanges, lever-handled full-ported ball valve, EPDM gaskets, dielectric sleeves.
 4 each - 7/16" X 1-3/4" bolts with nuts.
 Dimensions in inches unless otherwise noted.

Materials of construction	
Flange	Chrome plated steel
Valve body	Brass
Valve ball	Chrome plated brass
Valve seat	PTFE
Dielectric sleeve	Composite
Bolt	Chrome plated steel
Nut	Chrome plated steel
Gaskets	EPDM
Maximum temperature	230 °F (110 °C)
Maximum pressure	150 psi

Approvals

IAPMO - #6591