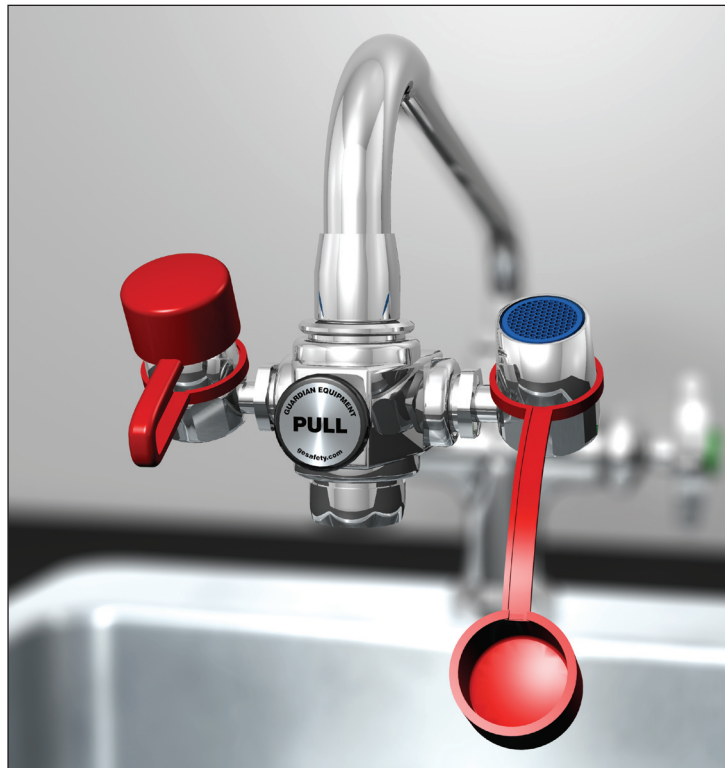


G1100

Faucet-Mounted Units

G1100 EyeSafe™ Faucet-Mounted Eye Wash, Adjustable Aerated Outlet Heads



Application: EyeSafe™ faucet-mounted eye washes convert any faucet into an emergency eye wash station without interfering with normal faucet operation. An EyeSafe™ unit can be installed at any sink, close to where accidents might occur. In an emergency, unit is quickly located and activated, and provides an unlimited supply of potable water for rinsing the user's eyes.

Outlet Heads: Outlet heads are mounted 3" apart and deliver a soft, aerated flow of water. Heads angle forward toward user. Angle of heads is adjustable to permit full coverage and avoid splashing. Furnished with float-off dust covers to protect outlet heads.

Valve: Forged brass diverter valve. Pull knob to activate eye wash; water pressure holds eye wash in operation, leaving user's hands free. Push knob or turn off faucet to return to normal faucet operation.

Inlet: Body has 55/64"-27 female thread. Furnished with three adaptors (15/16"-27, 13/16"-27 and 3/8" IPS) for installing on most commonly used faucets, including laboratory-type faucets.

Outlet: Furnished with removable aerator on bottom.

Quality Assurance: Each unit is completely assembled and water tested prior to shipment.

Important: *Faucet-mounted eye washes, whether manufactured by Guardian Equipment or other companies, require two motions to operate (turn on water, pull knob to activate eye wash flow). Therefore, Guardian does not believe that these units meet the provisions of ANSI Z358.1-2004 as eye wash units. These units are intended solely as supplemental units in addition to dedicated, plumbed eye wash equipment installed in the workplace.*

Faucet-mounted eye washes should be used with cold or warm water only. Use of hot water might cause scalding.

Available Options

- AP400-012** Inlet adaptor with 13/16"-24 female thread.
- 250-046R** Replacement float-off dust covers (package of 2).

GUARDIAN EQUIPMENT

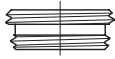
660 North Union Street
Chicago, IL 60610
info@gesafety.com

Phone 312 733 2626
Fax 312 733 4684
gesafety.com

G1100

Faucet-Mounted Units

Inlet Adaptors



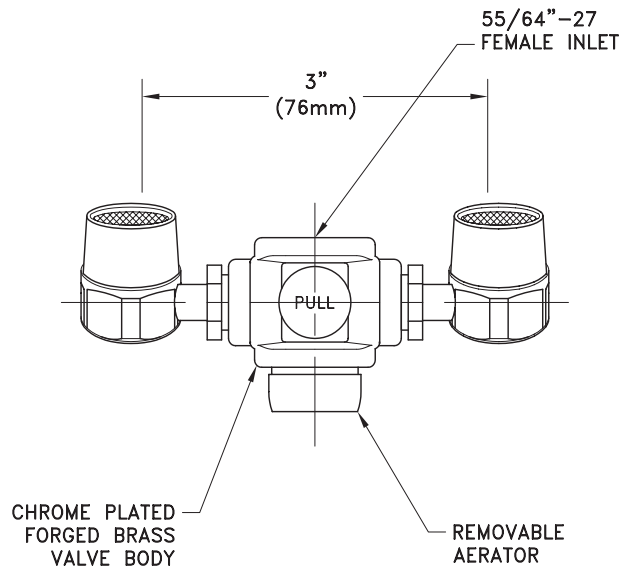
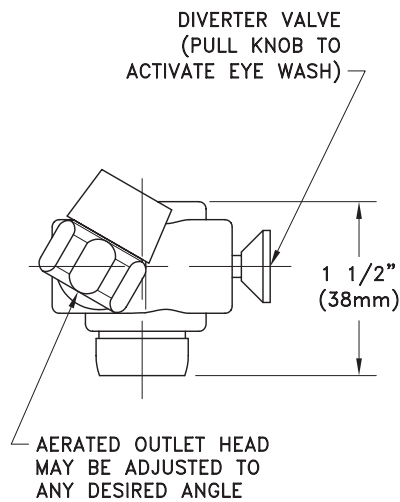
15/16"–27 ADAPTOR



13/16"–27 ADAPTOR



3/8" NPS ADAPTOR



NOTES:

1. USE COLD OR WARM WATER ONLY WITH FAUCET-MOUNTED EYE WASH.
2. THIS UNIT IS INTENDED AS A SUPPLEMENT TO, BUT NOT A REPLACEMENT FOR, DEDICATED PLUMBED-IN EYE WASH EQUIPMENT.



Sign Included

This space for Architect/Engineer approval

GUARDIAN EQUIPMENT

660 North Union Street
Chicago, IL 60610
info@gesafety.com

Phone 312 733 2626
Fax 312 733 4684
gesafety.com