

# BUTTERFLY VALVE

# 6200 SERIES

2"-12" - 200 PSI (1380 kPa)

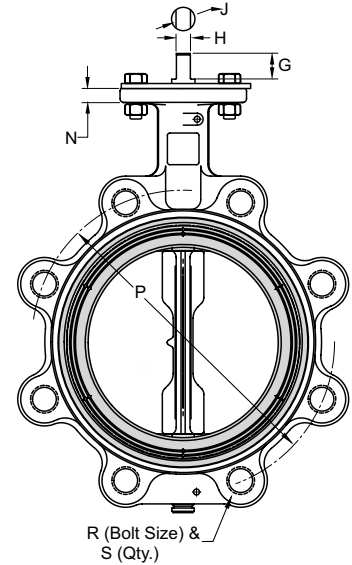
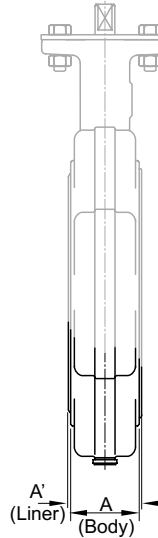
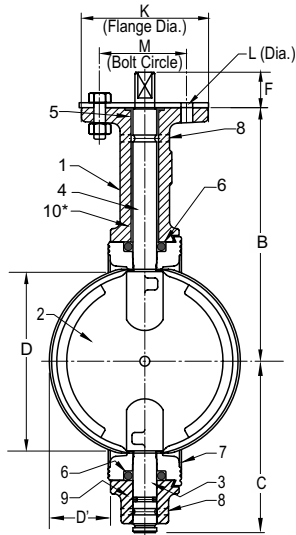
## RATINGS

200 PSI Butterfly Valve  
Non Shock Water, Oil,  
Gas

Dead End Service to 150 PSI

## SPECIFICATIONS

MSS SP-67  
API-609



ITEM	PARTS NAME	MATERIAL
1	BODY	CAST IRON-ASTM A 126 CL B
		CAST IRON-EPOXY COATED
		CAST IRON-NYLON COATED
		DUCTILE IRON-ASTM A 536
		DUCTILE IRON-EPOXY COATED
		DUCTILE IRON-NYLON COATED
2	DISC	NP DUCTILE IRON-ASTM A 536
		ALUMINUM BRONZE-ASTM B 148
		STAINLESS STEEL-TYPE 316
		NYLON COATED DUCTILE IRON EPOXY COATED DUCTILE IRON
3	BOTTOM STEM	STAINLESS STEEL TYPE 416
		STAINLESS STEEL TYPE 316
4	TOP STEM	STAINLESS STEEL TYPE 416
		STAINLESS STEEL TYPE 316
5	TOP BEARING	THERMOSET POLYMER
6	SEAL	EPDM, BUNA, VITON(1)
7	LINER	BUNA
		EPDM
		VITON
		VITON-GFLT
		HYPALON
		NEOPRENE BLACK-FDA
		NEOPRENE WHITE-FDA
		TEFLON OVER BUNA(150# WOG)
8	ROLL PIN	STAINLESS STEEL
9	STEM SEAL	EPDM, BUNA, VITON(1)
10*	LOWER BEARING	THERMOSET POLYMER
11	OPERATOR	LEVER HANDLE
		EPOXY COATED LEVER
		GEAR OPERATOR
		GEAR OP W/ MEMORY STOP
		GEAR OP W/ LOCK
		ACTUATOR-AIR/AIR
		ACTUATOR-AIR/SPRING
ACTUATOR-ELECTRIC		

(1) VITON O-RINGS ARE USED WITH HYPALON, NEOPRENE, AND TEFLON LINERS.

## DIMENSIONS

	INCHES	2	2-1/2	3	4	5	6	8	10	12
A (Body)	INCHES	1.69	1.81	1.81	2.07	2.19	2.19	2.38	2.69	3.06
	mm	42.9	46.1	46.0	52.5	55.6	55.6	60.3	68.3	78.0
A' (Liner)	INCHES	1.82	1.94	1.94	2.20	2.32	2.31	2.51	2.82	3.21
	mm	46.1	49.1	49.1	55.8	58.8	58.7	63.6	71.5	82.0
B	INCHES	5.50	6.00	6.25	7.00	7.53	8.00	9.38	10.19	12.06
	mm	139.7	152.4	158.8	177.8	191.3	203.2	238.1	258.8	306.4
C	INCHES	3.06	3.31	3.75	4.25	4.94	5.56	6.56	7.88	9.25
	mm	77.8	84.1	95.3	108.0	125.4	141.3	166.7	200.0	235.0
D (Chord Dia)	INCHES	1.49	2.01	2.64	3.67	4.71	5.66	7.72	9.70	11.68
	mm	37.8	51.1	67.1	93.2	119.6	143.8	196.1	246.4	296.7
D' (Intrusion)	INCHES	0.28	0.44	0.69	1.06	1.50	1.94	2.84	3.69	4.50
	mm	7.1	11.1	17.5	27.0	38.1	49.2	72.2	93.7	114.3
F	INCHES	1.13	1.13	1.13	1.13	1.13	1.13	1.50	1.50	1.50
	mm	28.6	28.6	28.6	28.6	28.6	28.6	38.1	38.1	38.1
G	INCHES	0.81	0.81	0.81	0.81	0.81	0.81	1.06	1.06	1.06
	mm	20.6	20.6	20.6	20.6	20.6	20.6	27.0	27.0	27.0
H	INCHES	0.35	0.35	0.35	0.40	0.40	0.44	0.53	0.71	0.71
	mm	8.9	8.9	8.9	10.2	10.2	11.2	13.5	18.0	18.0
J	INCHES	0.50	0.50	0.50	0.56	0.56	0.62	0.75	1.00	1.00
	mm	12.6	12.6	12.6	14.2	14.2	15.8	19.0	25.4	25.4
K	INCHES	4	4	4	4	4	4	6	6	6
	mm	101.6	101.6	101.6	101.6	101.6	101.6	152.4	152.4	152.4
L (Dia)	INCHES	0.44	0.44	0.44	0.44	0.44	0.44	0.56	0.56	0.56
	mm	11.1	11.1	11.1	11.1	11.1	11.1	14.3	14.3	14.3
M	INCHES	3.25	3.25	3.25	3.25	3.25	3.25	5.00	5.00	5.00
	mm	82.6	82.6	82.6	82.6	82.6	82.6	127.0	127.0	127.0
N	INCHES	0.44	0.44	0.44	0.44	0.44	0.44	0.50	0.50	0.50
	mm	11.1	11.1	11.1	11.1	11.1	11.1	12.7	12.7	12.7
P	INCHES	4.75	5.50	6.00	7.50	8.50	9.50	11.75	14.25	17.00
	mm	120.7	139.7	152.4	190.5	215.9	241.3	298.5	362.0	431.8
R	INCHES	5/8-11	5/8-11	5/8-11	5/8-11	3/4-10	3/4-10	3/4-10	7/8-9	7/8-9
	mm	15.875	15.875	15.875	15.875	19.050	19.050	19.050	23.812	23.812
S	INCHES	4	4	4	8	8	8	8	12	12
	mm	101.6	101.6	101.6	203.2	203.2	203.2	203.2	304.8	304.8

Rev 1

The information presented on this sheet is correct at the time of publication. Hammond Valve reserves the right to change design, and/or material specifications without notice. For the most current information access [www.hammondvalve.com](http://www.hammondvalve.com)

BFV-8

