

8501/8503 N61

1/4"-2"

**BRONZE BALL VALVE
TWO-PIECE, STANDARD-PORT
600 PSIG WOG / 150 PSIG SWP *
THREADED ENDS**



ANSI / NSF 61
BALL VALVE
9EA0

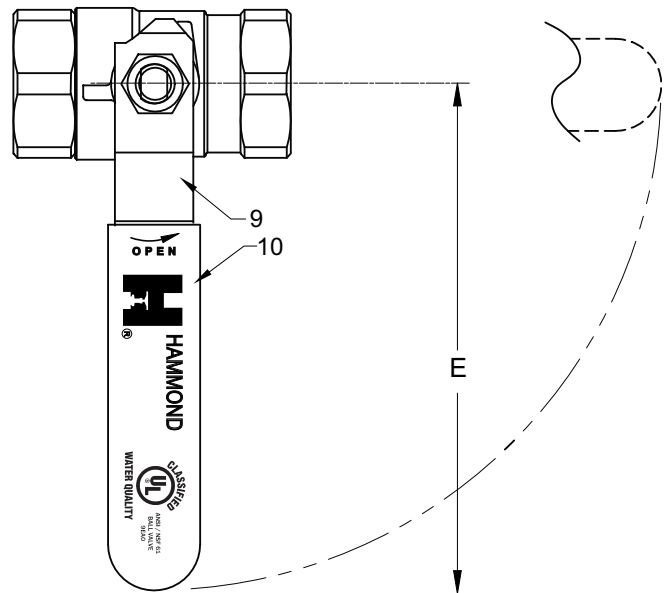
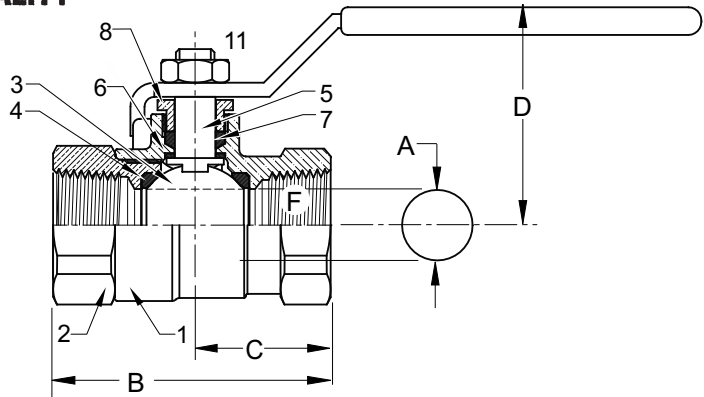
MSS SP-110
ANSI/NSF61-8
U.S. SAFE DRINKING WATER ACT (SDWA)

WATER QUALITY

MATERIALS LIST

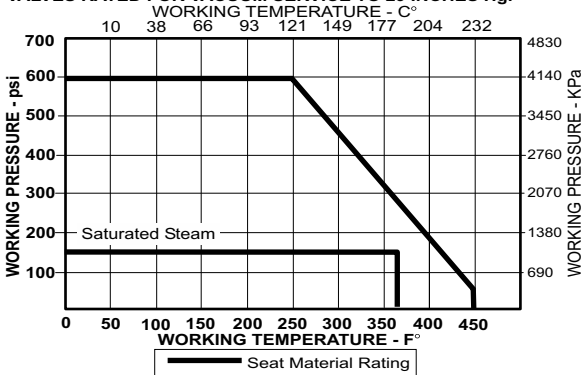
ITEM	PART	MATERIALS	ASTM SPEC.
1	Body	Cast Bronze	B584
		Cast Bronze (1 1/2" & 2")	B62
2	Tailpiece	Forged Brass	B283
		Cast Bronze (1" & 1 1/4")	B584
		Cast Bronze (1 1/2" & 2")	B62
3	Ball	Brass w/ Hard Chrome Plating	B283
		316 Stainless Steel	A276
4	Seat	RPTFE, 15% Glass Filled	
5	Stem	Brass	B124
6	Thrust Washer	RPTFE, 25% Glass Filled	
7	Packing	PTFE	
8	Packing Nut	Brass	B16
9	Handle	Steel w/ Zinc Plating	Commercial
10	Hand Grip	Vinyl	
11	Handle Nut	Steel w/ Zinc Plating	Commercial

* Available with Stainless Steel Trim.



PRESSURE - TEMPERATURE DATA

VALVES RATED FOR VACUUM SERVICE TO 29 INCHES Hg.



DIMENSIONS

	UNITS	1/4"	3/8"	1/2"	3/4"	1"	1-1/4"	1-1/2"	2"
		DN6	DN10	DN15	DN20	DN25	DN32	DN40	DN50
A (DIA)	INCHES	0.38	0.38	0.51	0.76	0.88	1.07	1.32	1.57
	mm	9.3	9.3	12.5	17.2	21.6	26.2	32.3	38.5
B	INCHES	1.86	1.86	2.19	2.64	3.17	3.50	3.96	4.30
	mm	45.6	45.6	53.7	64.7	77.7	85.8	97.0	105.4
C	INCHES	1.00	1.00	1.10	1.30	1.58	1.74	1.97	2.15
	mm	24.5	24.5	27.0	31.9	38.7	42.6	48.3	52.7
D	INCHES	1.78	1.81	1.91	2.08	2.25	2.66	2.84	3.00
	mm	43.6	44.3	46.8	51.0	55.1	65.2	69.6	73.5
E	INCHES	3.81	3.81	3.81	4.56	4.56	6.31	6.31	7.19
	mm	93.3	93.3	93.3	111.7	111.7	154.6	154.6	176.2
F	THREAD SIZE	1/4" NPT	3/8" NPT	1/2" NPT	3/4" NPT	1" NPT	1-1/4" NPT	1-1/2" NPT	2" NPT
Cv		7	7	13	30	38	61	87	121

Note: DN (Diameter Nominal) = Metric equivalent size.

Rev. 3

The information presented on this sheet is correct at the time of publication. Hammond Valve reserves the right to change design, and/or material specifications without notice. For the Installation, Operation and Maintenance Manual (IOM) see the engineering section on our website. For the most current information access www.hammondvalve.com