

# 8604/8603

# 1/4"-3"

MSS SP-110

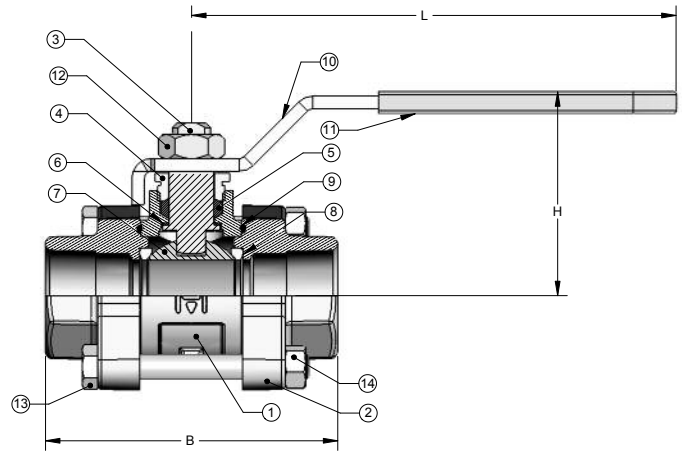
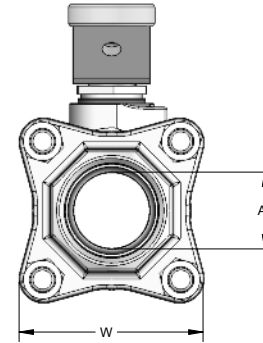
**BRONZE BALL VALVE  
THREE-PIECE, FULL-PORT  
600 WOG / 150 SWP (1)  
THREADED ENDS**

**MATERIALS LIST**

ITEM	PART	MATERIALS	ASTM SPEC.
1	Body	Bronze	B584
2	End Cap	Bronze	B584
3	Stem	Brass 316 Stainless Steel (2)	B16 A276
4	Packing Nut	Brass	B16
5	Packing	PTFE	
6	Thrust Washer	RPTFE, 25% Glass Reinforced	
7	Ball	CP Brass 316 Stainless Steel (2)	B16 A276
8	Seat	RPTFE, 15% Glass Reinforced	
9	O-Ring	Viton	Commercial
10	Handle	Steel w/ Zinc Plating	Commercial
11	Handle Grip	Vinyl	
12	Handle Nut	Steel w/ Zinc Plating	Commercial
13	Bolt	Steel w/ Zinc Plating	Commercial
14	Nut	Steel w/ Zinc Plating	Commercial

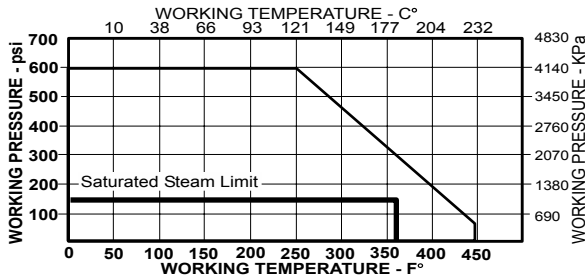
(1) Hammond Valve recommends the use of Stainless Steel ball and stem for steam applications. Please consult factory for more information.

(2) Ball and stem are stainless for 8603.



**PRESSURE and TEMPERATURE CHART**

VALVES RATED FOR VACUUM SERVICE TO 29 INCHES Hg.



**DIMENSIONS**

	UNITS	1/4" **	3/8" **	1/2"	3/4"	1"	1 1/4"	1 1/2"	2"	2 1/2"	3" *
		DN6	DN10	DN15	DN20	D25	D32	D40	D50	DN 65	DN 80
A	INCHES	0.5	0.5	0.5	0.75	1	1.25	1.5	2	2.5	2.5
	mm	13	13	13	19	25	32	38	51	64	64
B	INCHES	3.03	3.03	3.03	3.65	3.82	4.86	5.06	6	6.84	6.84
	mm	77	77	77	90	97	123	129	152	174	174
H	INCHES	1.65	1.65	1.65	2.24	2.65	2.86	3.03	3.26	4.09	4.09
	mm	42	42	42	57	67	73	77	83	104	104
L	INCHES	4.03	4.03	4.06	4.58	6.3	6.32	7.2	7.2	8	8
	mm	102	102	103	116	160	161	183	183	203	203
W	INCHES	1.95	1.95	1.95	2.19	2.48	3	3.13	3.78	5	5
	mm	50	50	50	56	63	76	80	96	127	127
F	THREAD	1/4"	3/8"	1/2"	3/4"	1"	1 1/4"	1 1/2"	2"	2 1/2"	3"
	SIZE	NPT	NPT	NPT	NPT	NPT	NPT	NPT	NPT	NPT	NPT
Cv		7	7	17	31	60	110	185	360	390	390

\*\*1/4" and 3/8" Valve capacity is determined by up stream and down stream pipe size.

Note:DN(DiameterNominal)=Metric equivalentsize.

\* 3" is Standard Port

Rev. 4

The information presented on this sheet is correct at the time of publication. Hammond Valve reserves the right to change design, and/or material specifications without notice. For the Installation, Operation and Maintenance Manual (IOM) see the engineering section on our website. For the most current information access [www.hammondvalve.com](http://www.hammondvalve.com)

