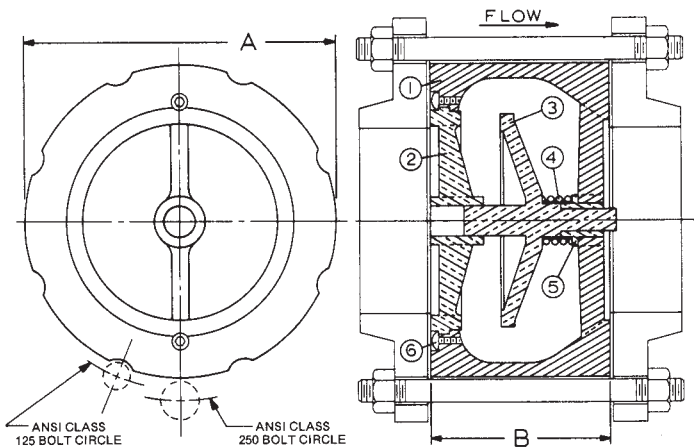


SILENT CHECK VALVES IR9253*

WAFER STYLE • SEMI-STEEL BODY

125 LB. CLASS • BRONZE TRIM**

Intended For Liquid Service Only.



MATERIAL LIST

NO.	PART	MATERIAL
1	Body	Cast Iron
2	Seat	Bronze
3	Plug	Bronze
4	Spring	Stainless Steel
5	Bushing	Bronze
6	Screw	Stainless Steel

DIMENSIONS - INCHES / MILLIMETERS

Units	Size	Weight Lbs.	A	B	C _v
SIZES 2" THRU 6" ARE COMBINATION ANSI CLASS 125 AND 250, VALVES USE ANSI CLASS 125					
Inches	8	86	13.38	6.50	900
mm	203.20		339.73	165.10	
Inches	10.00	137	16.00	8.25	1450
mm	254.00		406.40	209.55	

PRESSURE TEMPERATURE RATINGS

TEMP. DEG. F.	MAX., NON-SHOCK SERVICE PRESS.			
	ANSI B16.1 FLG. RATINGS			
	125 LB CLASS		250 LB CLASS	
	2" - 12"	14" - 42"	2" - 12"	11" - 42"
0° - 150°	200	150	400	300
200°	190	135	370	280

TEST PRESSURE	300	230	600	450
---------------	-----	-----	-----	-----

NOTE: Stainless Steel trim recommended for temperatures 180° - 200° F.

DIMENSIONS - INCHES / MILLIMETERS

Units	Size	Weight Lbs.	A	B	C _v
Inches	2	6	4.25	2.63	66
mm	50.80		107.95	66.68	
Inches	2 1/2	7	5.00	2.88	88
mm	63.50		127.00	73.03	
Inches	3	12	5.75	3.13	130
mm	76.20		146.05	79.38	
Inches	4	18	7.00	4.00	228
mm	101.60		177.80	101.60	
Inches	5	27	8.38	4.75	350
mm	127.00		212.73	120.65	
Inches	6	42	9.75	5.50	520
mm	152.40		247.65	139.70	
Inches	8	85	13.38	6.50	900
mm	203.20		339.73	165.10	
Inches	10	146	16.00	8.25	1450
mm	254.00		406.40	209.55	

Rev. 3

*International Valve

**We reserve the right to substitute stainless steel trim.

BETTER AT EVERY TURN



HAMMONDVALVE
www.hammondvalve.com

The information presented on this sheet is correct at the time of publication. Hammond Valve reserves the right to change design, and/or material specifications without notice. For the Installation, Operation and Maintenance Manual (IOM) see the engineering section on our website. For the most current information access www.hammondvalve.com