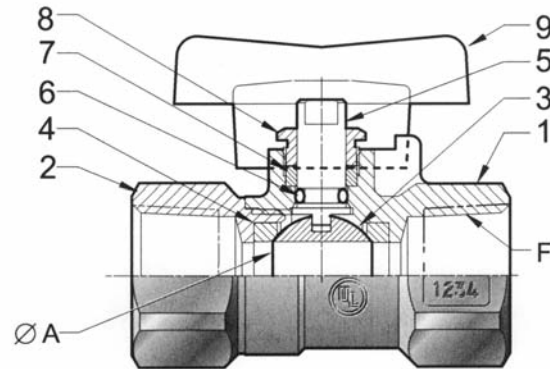
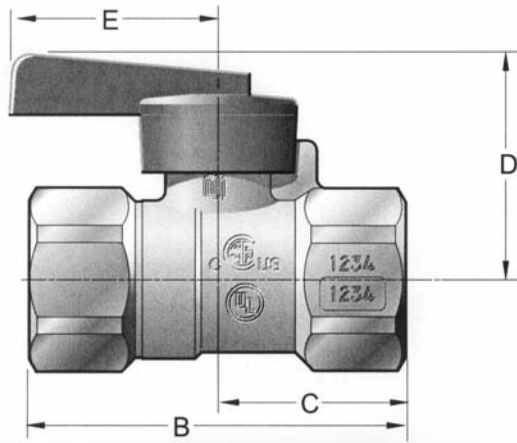


87501

87601



| MATERIALS LIST |             |                |              |
|----------------|-------------|----------------|--------------|
| ITEM           | PART        | MATERIALS      | ASTM SPEC.   |
| 1              | Body        | Brass, Forged  | B283 C37700  |
| 2              | Tailpiece   | Brass, Forged  | B283 C37700  |
| 3              | Ball        | Brass          | B124 C37700  |
|                |             | Chrome Plating | B456 SC1     |
| 4              | Ball Seal   | Teflon         | PTFE         |
| 5              | Stem        | Brass          | B124, C37700 |
| 6              | O-Ring      | Buna-N         | UL LISTED    |
| 7              | Packing     | Teflon         | PTFE         |
| 8              | Packing Nut | Brass          | B124, C37700 |
| 9              | Handle      | Zinc           | B86, AG40B   |

**AGENCY APPROVALS**



**FEATURES**

- FORGED TWO-PIECE BRASS
- STANDARD-PORT BALL VALVE
- INTERNATIONAL

| DIMENSIONS |              |        |       |       |       |
|------------|--------------|--------|-------|-------|-------|
| DIMENSIONS |              | UNITS  | 1/2"  | 3/4"  | 1"    |
| A Ø        |              | INCHES | 0.394 | 0.591 | 0.787 |
|            |              | mm     | 10.0  | 15.0  | 20.0  |
| B          |              | INCHES | 2.244 | 2.508 | 2.953 |
|            |              | mm     | 57.0  | 63.7  | 75.0  |
| C          |              | INCHES | 1.122 | 1.256 | 1.476 |
|            |              | mm     | 28.5  | 31.9  | 37.5  |
| D          | 875 Lever    | INCHES | 1.445 | 1.583 | 1.776 |
|            | mm           | 45.1   |       |       |       |
| D          | 876 T-Handle | INCHES | 36.7  | 40.2  | NA    |
|            | mm           |        |       |       |       |
| E          | 875 Lever    | INCHES | 1.378 |       | 1.5   |
|            | mm           |        | 35.0  |       | 38.0  |
| E          | 876 T-Handle | INCHES | 0.866 |       | NA    |
|            | mm           |        | 22.0  |       |       |
| F          | THREAD       |        | 1/2"  | 3/4"  | 1"    |
|            | NPT          |        |       |       |       |

Rev. 2

The information presented on this sheet is correct at the time of publication. Hammond Valve reserves the right to change design, and/or material specifications without notice. For the most current information access [www.hammondvalve.com](http://www.hammondvalve.com)