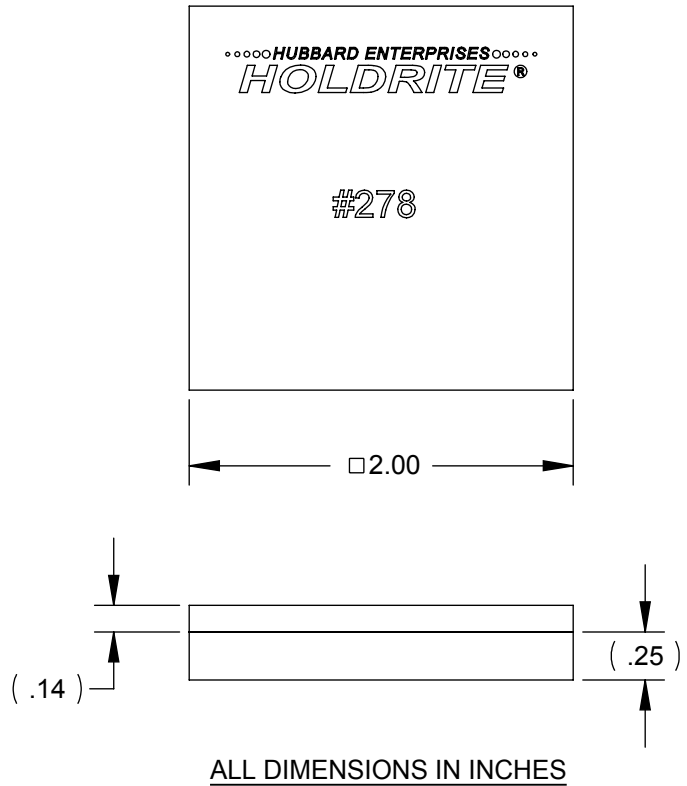
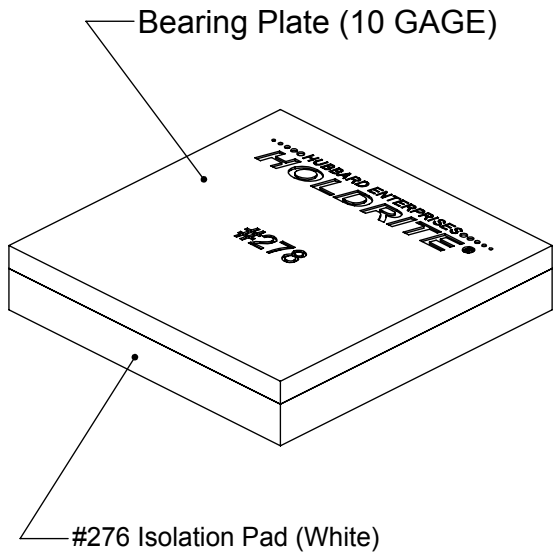


PRODUCT SPECIFICATION DRAWING

HOLDRITE® Silencer™ #278 Isolation Pad (White)



The HOLDRITE® Silencer™ #278 is an engineered sound and vibration isolation pad with a steel bearing plate. Ideal for use in isolating riser clamps and equipment bases from noise transfer to the structure.

Product Information:

- Material:
 - Bearing Plate: 10 gage, CRS
 - Isolating Pad: Neoprene, 50 Shore A, off-white
- Load Rating: 50 psi



THIS INFORMATION IS PROPRIETARY TO HUBBARD ENTERPRISES AND IS SUBJECT TO CHANGE WITHOUT NOTICE. ANY REPRODUCTION IN PART OR WHOLE WITHOUT THE WRITTEN PERMISSION OF HUBBARD ENTERPRISES IS PROHIBITED.

.....HUBBARD ENTERPRISES.....
HOLDRITE®
 "Converting Makeshift Methods into Engineered Solutions"

Product Submittal	
Job Name:	
Date:	
Part Number:	Qty:
Architect / Owner:	
Contractor:	
Notes:	