

ICE MAKER OUTLET BOX

696 series

Ox Box™

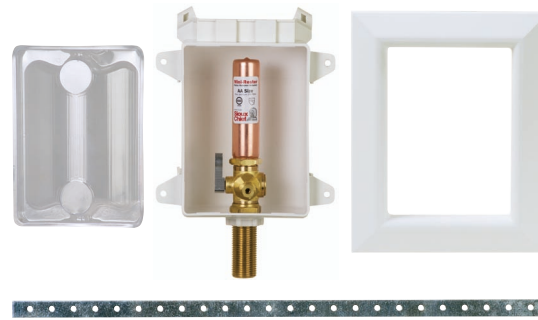
Item # Submitted	_____
Job Name	_____
Location	_____
Engineer	_____
Contractor	_____
PO#	_____ TAG _____

SPECIFICATION

Sioux Chief 696 series Ox Box ice maker outlet box shall be used where necessary in plumbing supply systems. Box shall allow for mounting with supply line from top or bottom, on-stud or between studs. Unit shall be available with plain valve or valve and water hammer arrester. Arrester shall be certified to ASSE 1010 and shall be UPC listed. Metal support bracket shall install into top track of box for between stud configuration. Outlet connection shall be generally 1/4".

MATERIALS

- outlet box: ABS
- frame: ABS
- bracket: galvanized steel
- arrester body: type L copper tube
- piston: polypropylene with two EPDM o-rings
- piston lubrication: Dow-Corning, 111 FDA approved silicone compound
- valve body: cast brass



696-1010MF

VALVE/ARRESTER WORKING LIMITS

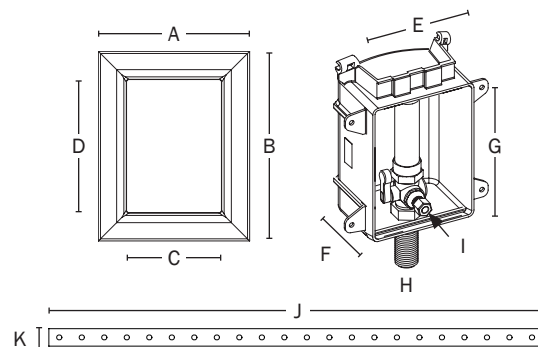
- max working temperature: 250°F
- max testing air pressure: 100 PSIG
- max working/testing pressure: 150 PSIG

CERTIFICATIONS/APPROVALS

- Listed by UPC/IAPMO to meet UPC
- Conforms to IPC

DIMENSIONS

- A: frame width 5 3/4"
- B: frame height 7 1/4"
- C: frame opening width 3 5/8"
- D: frame opening height 5 1/8"
- E: rough-in box inner width 4"
- F: rough-in box overall depth 3 1/2"
- G: rough-in box inner height 5 1/2"
- H: supply connection 1/2" nominal (see 'B' below)
- I: outlet connection 1/4" compression
- J: bracket length 18"
- K: bracket width 5/8"
- bracket thickness 18 gauge



Create Item Number

696-10 A 0 B C

e.g. 696-1010MF = ice maker box, female sweat valve with arrester, packaged with frame

- | | | |
|---|--|--|
| <p>A VALVE</p> <p><input type="checkbox"/> 0 Plain valve</p> <p><input type="checkbox"/> 1 Valve with arrester</p> | <p>B SUPPLY CONNECTION</p> <p><input type="checkbox"/> M 1/2" female sweat</p> <p><input type="checkbox"/> C 1/2" male CPVC</p> <p><input type="checkbox"/> X 1/2" PEX crimp F1807</p> <p><input type="checkbox"/> W 1/2" PEX cold expansion F1960</p> <p><input type="checkbox"/> V 1/2" Viega PureFlow® PEX</p> <p><input type="checkbox"/> P 1/2" press-fitting</p> <p><input type="checkbox"/> Y 3/8" PEX crimp F1807</p> | <p>C FRAME PACKAGING</p> <p><input type="checkbox"/> F Standard pack (supply box, frame, bracket, debris cover)</p> <p><input type="checkbox"/> R Rough-in pack¹ (supply box, bracket, debris cover)</p> |
|---|--|--|

¹ Order frame (696-1F) separately.