



BIM Series Guy Gray Ice Maker Boxes

Specification:

Furnish and install recessed galvanized metal BIM Series Guy Gray Ice Maker Outlet Box. Unit shall be Guy Gray product number checked below as manufactured by IPS Corporation in Collierville, TN.

Valve Options:

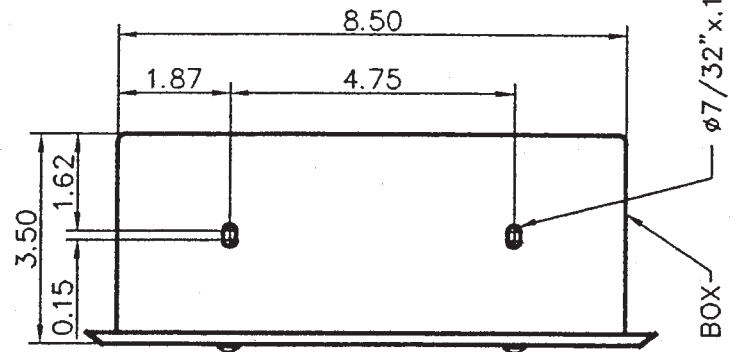
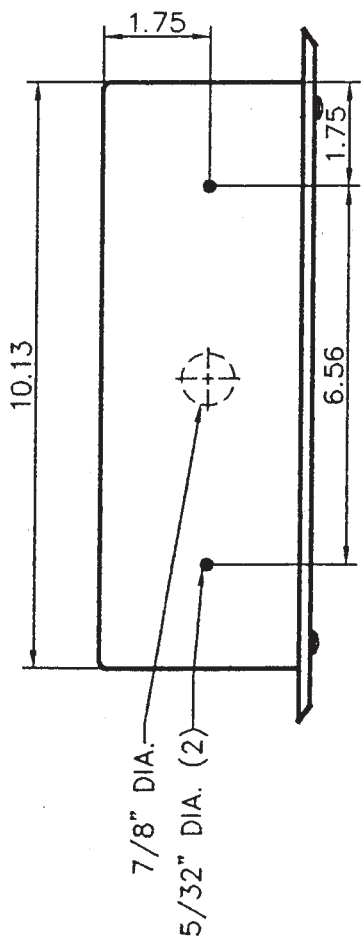
1/2" Quarter Turn Ball Valve or 1/2" Domestic Boiler Drain Valve with Solder, CPVC or Pex connection

Box Material:

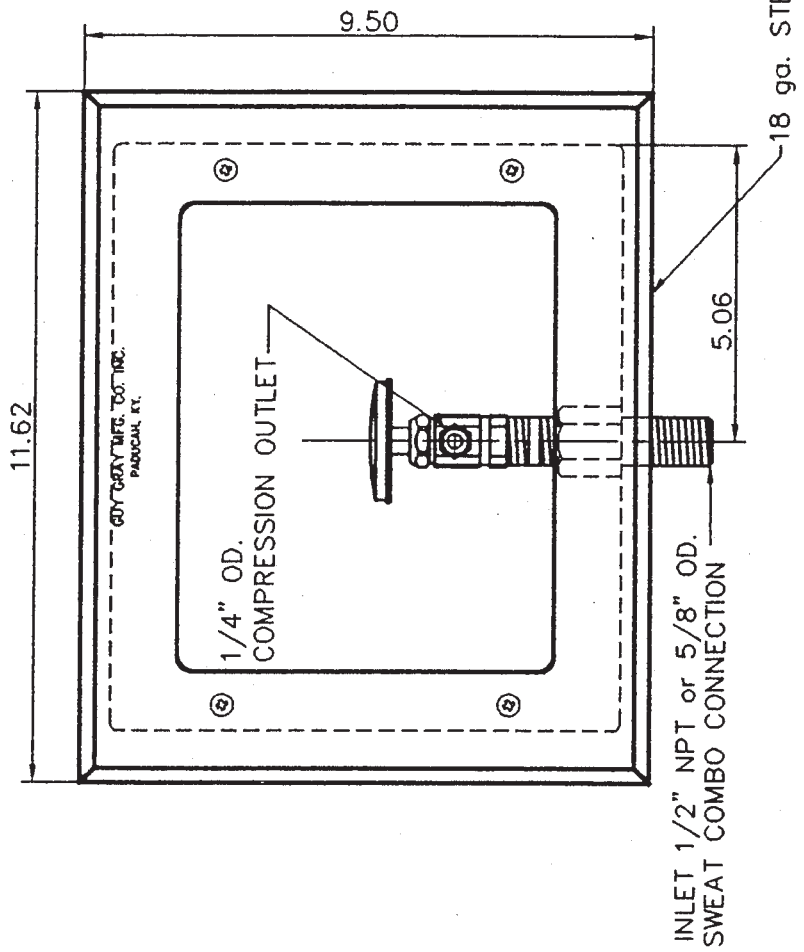
20 gauge Box and 18 gauge faceplate
G90 Hot Dipped Galvanized Steel (unpainted)



Item #	Description	Model #	Case Qty
88039	Quarter Turn Valve w 1/2" Sweat Connection	BIM875QTS	6
88054	Domestic Valve w/ 1/2" MIP/Sweat Conx. Valve	BIM875	6
88055	Quarter Turn Valve w/ 1/2" CPVC Conx. Valve	BIM876QTC	6
88103	Domestic Valve w/ 1/2" CPVC Connection	BIM876	6
88066	Quarter Turn Valve w/ 1/2" PEX Connection	BIM877QTP	6
88125	Domestic Valve w/ 1/2" Pex Connection	BIM877	6



18 ga. STEEL BOX



18 ga. STEEL COVER

GUY GRAY MFG. CO. INC.
MODEL NO. BIM875