



JAY R. SMITH MFG. CO.
 DIVISION OF SMITH INDUSTRIES, INC.
 POST OFFICE BOX 3237
 MONTGOMERY, ALABAMA 36109-0237 (USA)
 TEL: 334-277-8520 FAX: 334-272-7396 www.jrsmith.com



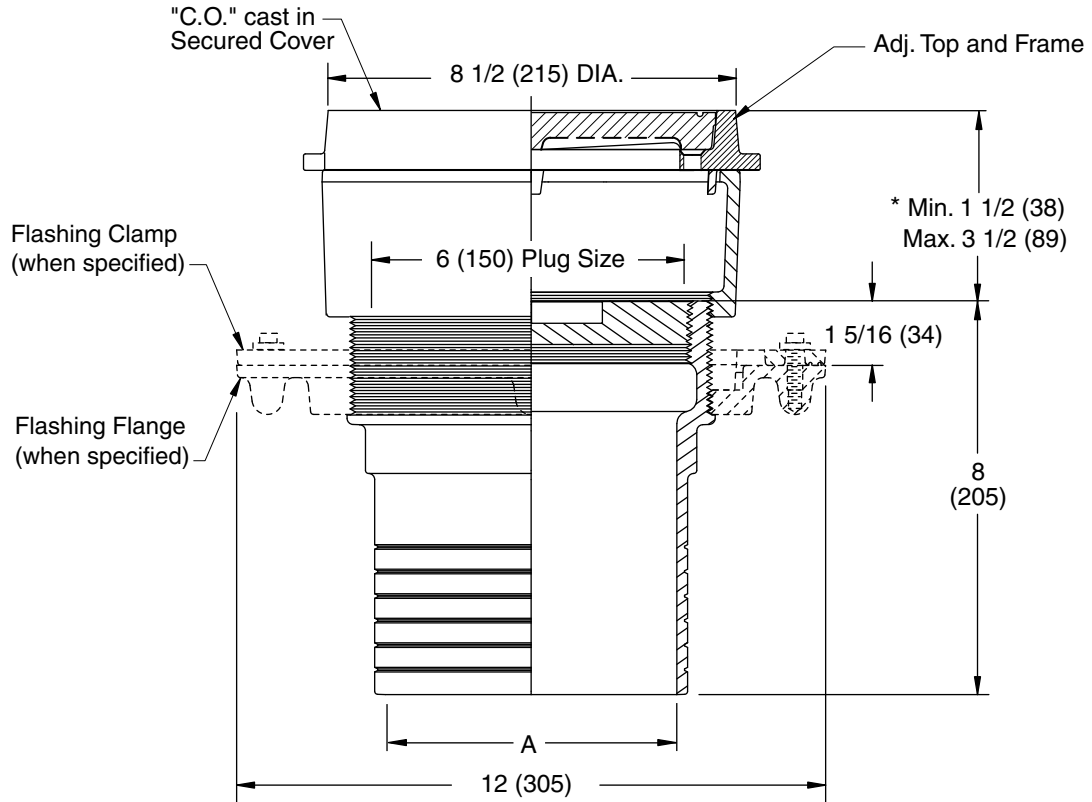
MEMBER OF:

LOCATION

FLOOR CLEANOUTS WITH "TWIS-TO-FLOOR®" ADJUSTABLE TOPS FOR UNFINISHED AREAS

ROUND EXTRA HEAVY DUTY CAST IRON TOP

FUNCTION: Used in floors and areas where appearance of Cast Iron is satisfactory. Will withstand heavy load traffic.



SPIGOT OUTLET▲
 "A" (Pipe Size) = 06(150) & 08(200)

▲ Sized for Service Weight and/or NO-HUB.
 * When Flange-F is specified Min. 1 1/2 (38) becomes 2 (51)

"TWIS-TO-FLOOR®" ADJUSTMENT
SPIGOT OUTLET▲

Fig. 4223S.....Taper Thread - Bronze Plug

REGULARLY FURNISHED:
 Duco Cast Iron Cleanout with Taper Thread Bronze Plug and Round Adjustable Scoriated Secured Cast Iron Top.

VARIATIONS:

- Flashing Flange -F
- Flange with Flashing Clamp -F-C
- Vandal Proof Top -U

OPTIONAL MATERIALS:

- Galvanized Cast Iron -G
- Ductile Iron Cover-M

NOTE: Dimensions shown in parentheses are in millimeters.

DRAWING NUMBER
S4220BS

SIZE
A

SCALE:
NONE

DATE:
5-5-06

APPROVED BY:
CEL

CHECKED BY:
CL

DRAWN BY:
RN

4223

DIMENSIONS ARE SUBJECT TO MANUFACTURERS TOLERANCE AND CHANGE WITHOUT NOTICE

REV.	DATE	DESCRIPTION	BY	CKD. BY

WEIGHT POUNDS	VOLUME CUBIC FEET

FIGURE NUMBER
4223