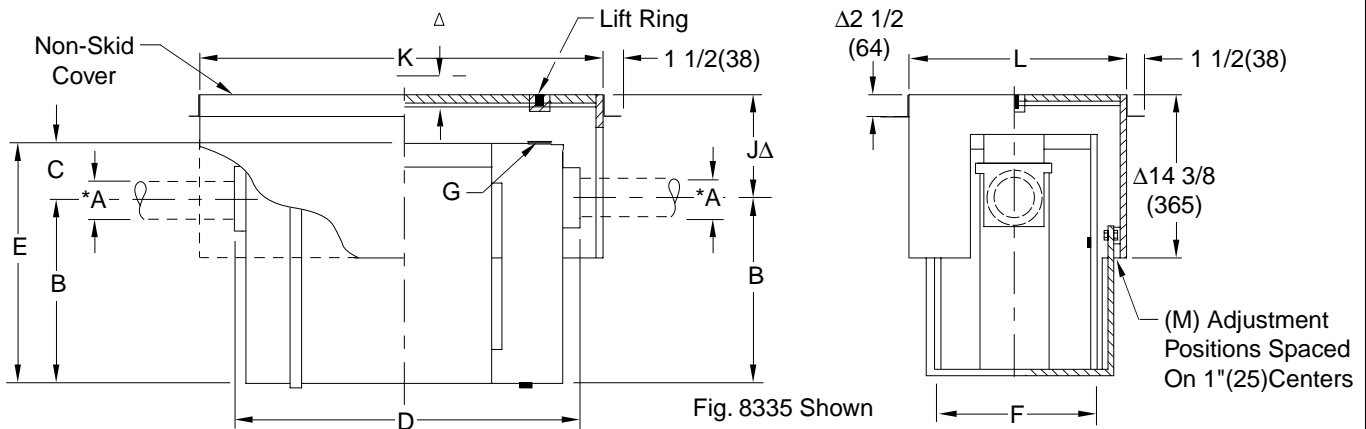


GREASE INTERCEPTORS

WITH RECEIVING CRADLE FOR RECESSED INSTALLATION

FUNCTION: The all steel receiving cradle provides positive support for the interceptor and vertical adjustability for the inlet and outlet connections to meet the drainage piping. The receiving cradle can be set in the slab at the time of pouring or set in a pre-sleeved opening in the rough slab. The cradle is secured and suspended in the rough slab by its anchoring flange. The interceptor is lowered into the receiving cradle and adjusted to the elevation of the drainage piping. Interceptor is readily accessible for cleaning and inspection simply by removing the cradle cover which sits flush with floor. The cradle supports the interceptor and has no provisions for waterproofing the interceptor in relation to the cradle and ceiling below.



Figs. 8007 thru 8050 carry the Plumbing and Drainage Institute Certification Seal Certifying conformance to Grease Interceptor Standard PDI-G101.

PCN/ Fig. No.	GPM Flow Rate	Grease Cap Lbs.	Inlet and Outlet Size	Dimensions						C.O. Plug Size	Cradle Dimensions					
				Roughing Dimensions			Body				JΔ		K Length	L Width		M
				B	C	D	Height E	Width F	G		MIN	MAX				
8304	4	8	02(50)	7 3/4(195)	3 1/4(83)	16 3/4(425)	11(280)	10(255)	2(51)	6 3/4(170)	17 3/4(450)	27 1/4 (690)	19 1/4 (490)	12(305)		
8307	7	14	02(50)	8 1/2(215)	3 1/2(89)	19(485)	12(305)	10 3/4(275)	2(51)	7(180)	17(430)	27 1/4 (690)	19 1/4 (490)	12(305)		
8310	10	20	02(50)	9 1/2(240)	3 3/4(95)	21 1/4(540)	13 1/4(334)	13 (330)	2(51)	7(180)	16(405)	27 1/4 (690)	19 1/4 (490)	12(305)		
8315	15	30	02(50)	12(305)	3 1/2(89)	25(635)	15 1/2(355)	14(355)	2(51)	7 1/2(190)	18 1/2(470)	34 3/4 (880)	22 3/4 (580)	13(330)		
8320	20	40	03(75)	13(330)	4(100)	28 1/2(725)	17(430)	15 3/4(400)	2(51)	7 1/2(190)	17 1/2(445)	34 3/4 (880)	22 3/4 (580)	13(330)		
8325	25	50	03(75)	15 1/4(390)	4 1/2(115)	30(760)	19 3/4(500)	16 3/4(425)	2(51)	7 1/2(190)	19 1/2(495)	41 3/4 (1060)	28 1/4 (720)	13(330)		
8335	35	70	03(75)	16(405)	5(125)	32 1/2(825)	21(535)	18 1/4(465)	2(51)	8 1/4(210)	18 3/4(475)	41 3/4 (1060)	28 1/4 (720)	13(330)		
8350	50	100	03(75)	17 1/2(445)	6 3/4(170)	35 1/2(900)	24 1/4(615)	20 3/4(525)	2(51)	10 1/4(260)	17 1/4(440)	41 3/4 (1060)	28 1/4 (720)	13(330)		

*Available with larger inlet and outlet when specified.
 ΔNOTE: When tile top is specified, add 1" (25). When Terrazzo top is specified add 1 1/4" (32).

REGULARLY FURNISHED:
 Steel Interceptor and Receiving Cradle with Gray Duco Coating Inside and Outside and Flow Control Fitting.

- VARIATIONS:**
- ΔCradle Cover Recessed for Terrazzo, Ceramic or Quarry Tile -QC
 - ΔCradle Cover Recessed for Vinyl or Asphalt Tile -TC
 - Fully Enclosed Cradle with Integral Drip Pan -W
 - Lift Out Sediment Bucket -B
 - NO-HUB Adaptor (2) Required (Specify Fig. 2646Y)

- OPTIONAL MATERIEALS:**
- Acid Resistant Coating Inside** -ARI
 - Acid Resistant Coating Outside ** -ARO▲
 - Acid Resistant Coating Inside and Outside ** -ARIO▲
 - Acid Resistant Coated Cradle -ARC
 - Aluminum Cover for Cradle -ACC
 - Aluminum Cover for Interceptor -AC
- **Interceptor Only
 ▲When ARO or ARIO is specified, ARC must also be specified.

NOTE: Dimensions shown in parentheses are in millimeters.

NOTE: It is the responsibility of the installer to check all parts (internal and external) to verify they are in their proper operating order and location.

DRAWING NUMBER S8300
 SIZE A
 SCALE: NONE
 DATE: 4-24-85
 APPROVED BY:
 CHECKED BY: VGD
 DRAWN BY: PJ
8300 Series
 FIGURE NUMBER

WE CAN ASSUME NO RESPONSIBILITY FOR USE OF SUPERSEDED OR VOID DATA
 DIMENSIONS ARE SUBJECT TO MANUFACTURERS TOLERANCE AND CHANGE WITHOUT NOTICE

J	7-2-99	Revised	CMD	BS
H	6-8-99	Revised Table	CMD	BS
G	5-21-99	Updated Opt. Mat.	CMD	BS
F	5-28-98	Submittal Update	ASL	BS
E	7-10-95	Added millimeters	CMD	BS
D	8-23-94	Submittal Update	EMB	BS
C	5-90	Chg Table	EMB	BS
B	3-87	Rev Dwg & Table	CMB	BS
REV.	DATE	DESCRIPTION	BY	CKD. BY

WEIGHT POUNDS	VOLUME CUBIC FEET	FIGURE NUMBER 8300 Series
------------------	----------------------	-------------------------------------