

CRA-ADA - SERIES - A - 18 GA.

A.D.A. COMPLIANT - CLASSROOM SINKS

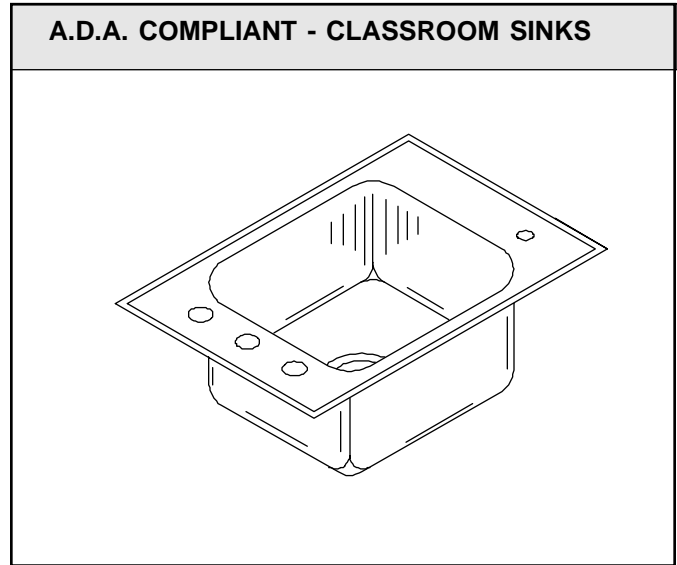
SUBMITTAL



ADA COMPLIANT

SPECIFICATION

Seamless die-drawn construction of type 304, 18-8 stainless steel. Interior and top surfaces polished to a non-porous Hand-blended Just Finish with highlighted bowl rim. Fully coated underside insulates for sound, and reduces condensation. Straight-sided compartment with 1 3/4" radius corners provides greater capacity. Self-rimming top mount Grip-Rim Plus with 300 series stainless steel mounting channels. Drain punch #35 centered for Just J-35 unless otherwise specified.



DATA

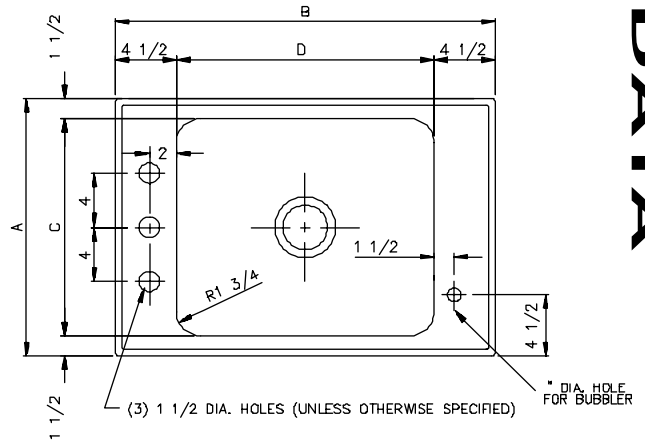
To be specified :

■ Faucet hole punching:

- (1) Hole Centered
- (2) Holes on 4" centers
- (3) Holes on 4" centers (illustrated)
- (4) Holes on 4" centers

Alternate Punching:

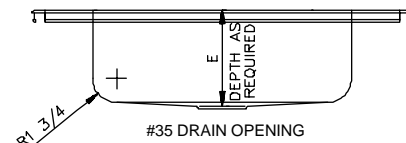
Faucet Model: _____
Punching required: _____



DRAIN LOCATION MUST BE SPECIFIED:

- CENTER (SHOWN)
- LEFT REAR
- RIGHT REAR
- CENTER REAR

LOCATIONS MUST BE A MINIMUM OF 4 1/2" FROM THE BOWL WALL.



FUNCTIONAL DESIGN, QUALITY, AND SPECIFICATIONS LISTED DESCRIBE THE **JUST** STANDARD OF QUALITY. WHEN MAKING COMPARISONS TO OTHER OFFERINGS, INSIST ON THE **JUST** QUALITY OF CONSTRUCTION.

MODEL NO.	A	B	C	D	E	CUTOUT*
CRA-ADA-1725-A-GR	17	25	14	16	4 1/2 to 6 1/2	16 1/4 x 24 1/4
CRA-ADA-1923-A-GR	19	23	16	14	4 1/2 to 6 1/2	18 1/4 x 22 1/4
CRA-ADA-1928-A-GR	19	28	16	19	4 1/2 to 6 1/2	18 1/4 x 27 1/4
CRA-ADA-1931-A-GR	19	31	16	22	4 1/2 to 6 1/2	18 1/4 x 30 1/4
CRA-ADA-2225-A-GR	22	25	19	16	4 1/2 to 6 1/2	21 1/4 x 24 1/4

* Cutout dimensions shown (Front-to-Back) x (Left-to-Right) - Corners of cutout may be square or up to 1/2" radius.

Job Name _____

Customer _____

Architect/Engineer _____

APPROVED FOR MANUFACTURING

MODEL NO. _____ QTY. _____

COMPANY _____

TITLE _____ DATE _____

SIGNATURE _____

Just MANUFACTURING COMPANY
9233 KING STREET, FRANKLIN PARK, ILLINOIS 60131
PHONE: (847) 678-5150 FAX: (847) 678-6817