

DL-ADA - SERIES - A - 18 GA.



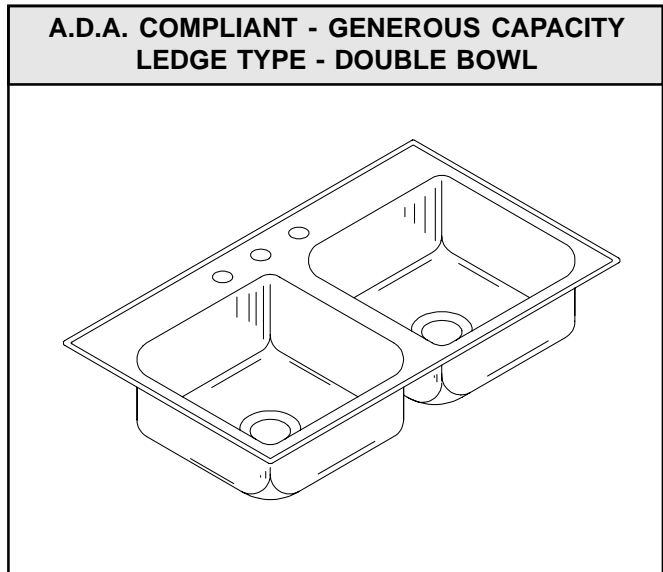
**STYLIST GROUP**



**ADA COMPLIANT**

**SPECIFICATION**

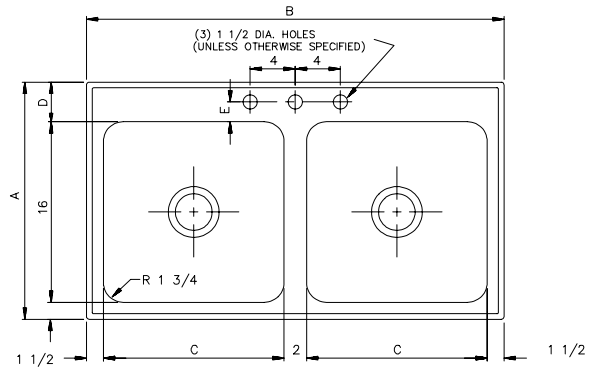
Seamless die-drawn construction of type 304, 18-8 stainless steel. Interior and top surfaces polished to a non-porous Hand-Blended Just Finish with highlighted bowl rim. Fully coated underside insulates for sound, and reduces condensation. Straight-sided compartment with 1 3/4" radius corners provides greater capacity. Self-rimming top mount Grip-Rim Plus with 300 series stainless steel mounting channels. Drain punch #35 centered for Just J-35 unless otherwise specified.



**SUBMITTAL**

**To be specified :**

- Faucet hole punching:
  - (1) Hole Centered
  - (2) Holes on 4" centers
  - (3) Holes on 4 "centers(illustrated)
  - (4) Holes on 4" centers
- Alternate Punching:
  - Faucet Model: \_\_\_\_\_
  - Punching required: \_\_\_\_\_



**DATA**

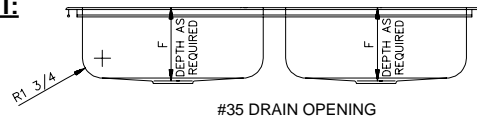
**DRAIN LOCATION MUST BE SPECIFIED FOR EACH COMPARTMENT:**

**LEFT BOWL:**

- CENTER(SHOWN)
- LEFT REAR
- RIGHT REAR
- CENTER REAR

**RIGHT BOWL:**

- CENTER(SHOWN)
- LEFT REAR
- RIGHT REAR
- CENTER REAR



**LOCATIONS MUST BE A MINIMUM OF 4 1/2" FROM THE BOWL WALL.**

Job Name \_\_\_\_\_

Customer \_\_\_\_\_

Architect/Engineer \_\_\_\_\_

---

APPROVED FOR MANUFACTURING

MODEL NO. \_\_\_\_\_ QTY. \_\_\_\_\_

COMPANY \_\_\_\_\_

TITLE \_\_\_\_\_ DATE \_\_\_\_\_

SIGNATURE \_\_\_\_\_

MODEL NO.	A	B	C	D	E	F	CUTOUT*
DL-ADA-2133-A-GR**	21	33	14	3-1/2	1-3/4	4-1/2 to 6-1/2	20-1/4 x 32-1/4
DL-ADA-2233-A-GR**	22	33	14	4-1/2	2	4-1/2 to 6-1/2	21-1/4 x 32-1/4
DL-ADA-2137-A-GR	21	37	16	3-1/2	1-3/4	4-1/2 to 6-1/2	20-1/4 x 36-1/4
DL-ADA-2237-A-GR	22	37	16	4-1/2	2	4-1/2 to 6-1/2	21-1/4 x 36-1/4

\* Cutout dimensions shown (Front-to-Back) x (Left-to-Right) - Corners of cutout may be square or up to 1/2" radius.

\*\*This model has 1 1/8" center partition and 1 15/16" end flanges.

FUNCTIONAL DESIGN, QUALITY, AND SPECIFICATIONS LISTED DESCRIBE THE JUST STANDARD OF QUALITY. WHEN MAKING COMPARISONS WITH OTHER OFFERINGS, INSIST ON THE JUST QUALITY OF CONSTRUCTION. FOR ADDITIONAL INFORMATION REGARDING THE COMPLETE LINE OF **JUST**SINKS, FAUCETS AND DRAINS, VISIT OUR WEB SITE AT [www.justmfg.com](http://www.justmfg.com)

REVISED-5/2004

**JUST MANUFACTURING COMPANY**

**9233 KING STREET . FRANKLIN PARK . ILLINOIS . 60131-2111**

PH: 847-678-5150

FAX: 847-678-6817

E-MAIL: [custserv@justmfg.com](mailto:custserv@justmfg.com)

[www.justmfg.com](http://www.justmfg.com)