



INSTITUTIONAL GROUP

J-770-2

**SURGEON'S
WASH-UP SINK**

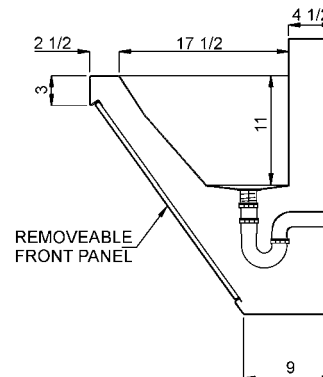
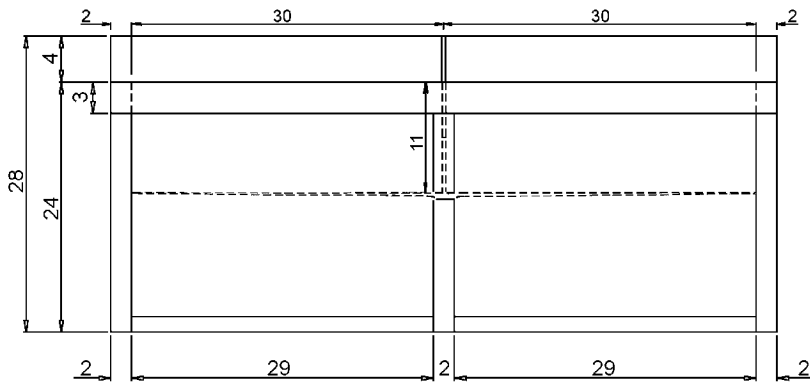
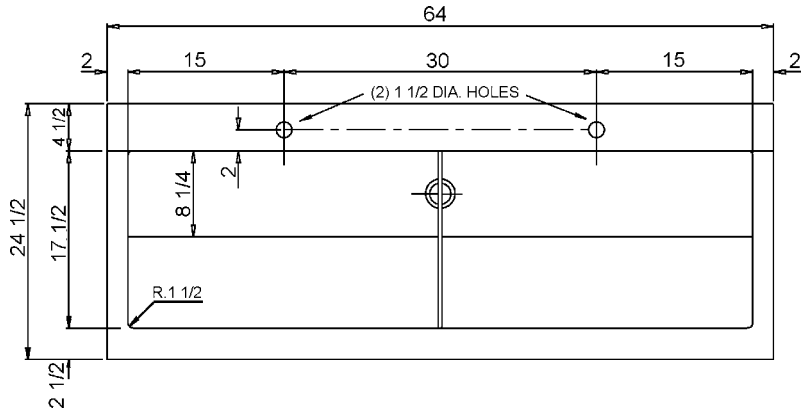
SUBMITTAL DATA



SPECIFICATION

Seamless welded construction, fabricated of 16 gauge type 304 stainless steel. Interior surfaces polished to a Hand-Blended Just Finish. Exposed exterior surfaces polished with a standard brush finish. Rear integral support bracket and 14 gauge stainless steel wall clips. Drain punch #35 centered for Just J-35-SSF drain. Options: (2) JSGN-6M deck mounted, sensor-operated faucet with manual override and laminar flow control; (1) JTM-47 thermostatic mixing valve; (1) J-35-SSF stainless steel flat grid strainer; (1) JT-150 cast brass P-Trap, and (1) removable plexiglass partition.

* Modified with 316 Stainless Steel



JUST MFG. COMPANY CONTINUES TO MAKE QUALITY AND FUNCTIONALITY A MARK OF THE JUST PRODUCT LINE. TO DO SO REQUIRES THAT WE RESERVE THE RIGHT TO CHANGE PRODUCT INFORMATION WITHOUT NOTICE. FOR THE MOST CURRENT AND ACCURATE INFORMATION REGARDING THE COMPLETE LINE OF JUST SINKS, FAUCETS AND DRAINS, CLICK ON THE **SPEC LINE DRAWINGS** LINK ON OUR WEB SITE AT www.justmfg.com

Job Name _____

Customer _____

Architect/Engineer _____

APPROVED FOR MANUFACTURING

MODEL NO. _____ QTY. _____

COMPANY _____

TITLE _____ DATE _____

SIGNATURE _____

12/2003