

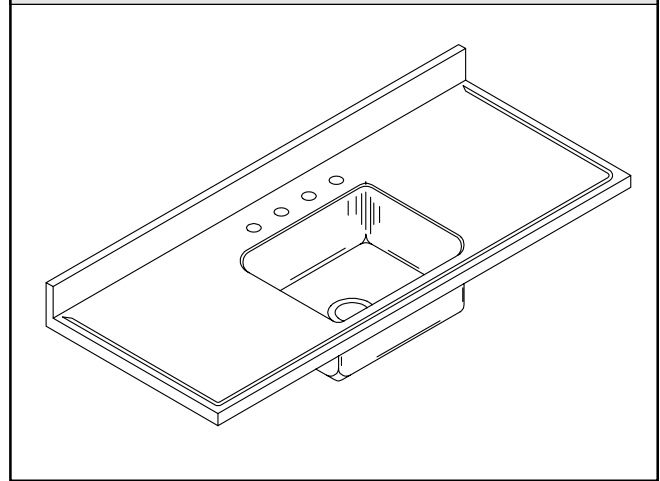


**ROYALTY GROUP**

SCHEDULE  
S-3 SINK

**SM-SERIES**

**MARQUIS SINK TOPS  
SINGLE BOWL - DOUBLE DRAINBOARD**

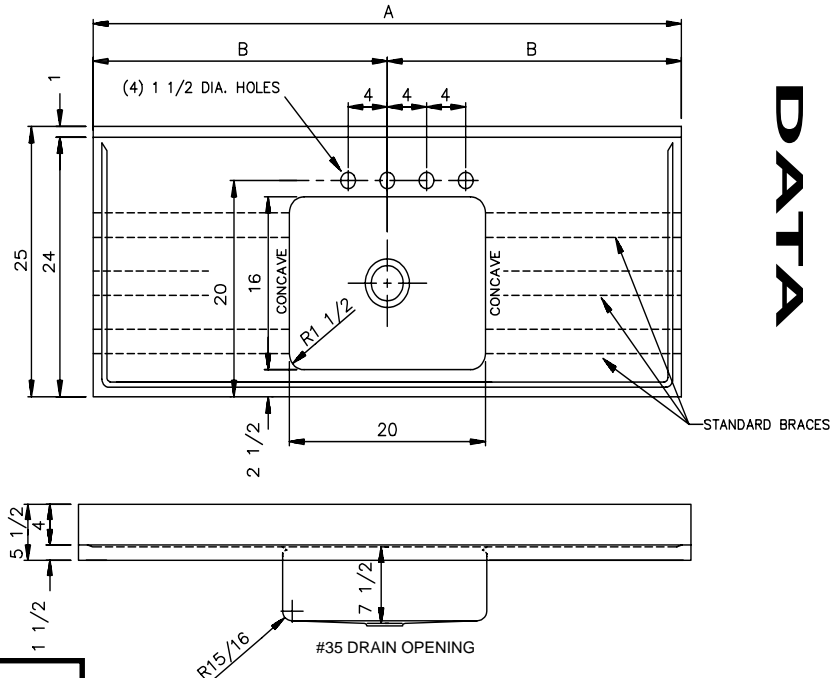


**SUBMITTAL**

**SPECIFICATION**

Seamless welded construction of 18 gauge type 316 stainless steel. Bowl with anti-splash rim seamless welded to top. Drainboard double-pitched to bowl without the use of creases. Straight-sided compartment provides greater capacity. Standard understructural braces of 16 gauge mild steel. Underside coated to insulate for sound and reduce condensation. Unit polished with a Hand-Blended Just Finish. Drain punch #35 centered for Just J-35 cup strainers.

**DATA**



Job Name _____
Customer _____
Architect/Engineer _____
APPROVED FOR MANUFACTURING
MODEL NO. _____ QTY. _____
COMPANY _____
TITLE _____ DATE _____
SIGNATURE _____

MODEL NO.	A	B
SM-54-20	54	27
SM-60-20	60	30
SM-66-20	66	33
SM-72-20	72	36
SM-84-20	84	42
SM-96-20	96	48

FUNCTIONAL DESIGN, QUALITY, AND SPECIFICATIONS LISTED DESCRIBE THE JUST STANDARD OF QUALITY. WHEN MAKING COMPARISONS WITH OTHER OFFERINGS, INSIST ON THE JUST QUALITY OF CONSTRUCTION. FOR ADDITIONAL INFORMATION REGARDING THE COMPLETE LINE OF **JUST** SINKS, FAUCETS AND DRAINS, VISIT OUR WEB SITE AT [www.justmfg.com](http://www.justmfg.com)

REVISED-5/2004