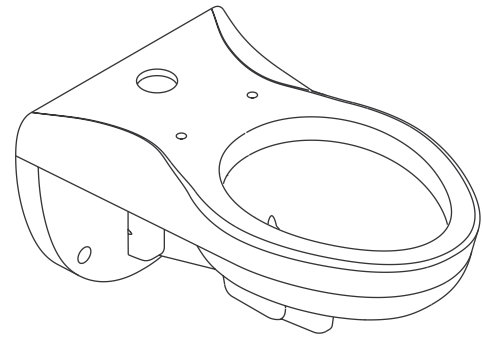


## Features

- Vitreous china
- Elongated bowl
- Siphon jet
- Wall-mount
- With bedpan lugs (-L)
- 1-1/2" top spud
- 1.28 gpf (4.8 lpf)
- 10-1/2" (26.7 cm) x 9" (22.9 cm) water area
- 26-1/2" (67.3 cm) x 16-1/2" (41.9 cm) x 13-1/4" (33.7 cm)

## BOWL K-4325

ADA	TAS
CSA B651	OBC



## Codes/Standards Applicable

Specified model meets or exceeds the following:

- ADA
- ICC/ANSI A117.1
- TAS
- CSA B651
- OBC
- ASME A112.19.2/CSA B45.1
- Energy Policy Act of 1992

## Colors/Finishes

- 0: White
- Other: Refer to Price Book for additional colors/finishes

## Specified Model

Model	Description	Colors/Finishes	
K-4325	Elongated bowl	<input type="checkbox"/> 0	<input type="checkbox"/> Other_____
K-4325-L	Elongated bowl with bedpan lugs	<input type="checkbox"/> 0	<input type="checkbox"/> Other_____

Recommended Accessories			
K-4731-C	Stronghold® open-front elongated seat	<input type="checkbox"/> 0	<input type="checkbox"/> Other____
K-4731-SC	Stronghold open-front elongated seat with integrated handle	<input type="checkbox"/> 0	<input type="checkbox"/> Other____
K-4731-GC	Stronghold Quiet-Close™ open-front elongated seat	<input type="checkbox"/> 0	<input type="checkbox"/> Other____
K-10673	1.28 gpf (4.85 lpf) Touchless DC toilet flushometer with wave technology		<input type="checkbox"/> Other____
K-10956	1.28 gpf (4.85 lpf) Touchless DC toilet flushometer with Tripoint™ technology		<input type="checkbox"/> Other____

## Product Specification

The elongated bowl shall be made of vitreous china. Bowl shall be 26-1/2" (67.3 cm) in length, 16-1/2" (41.9 cm) in width, and 13-1/4" (33.7 cm) in height. The bowl shall be wall-mount with a 1-1/2" top spud. Bowl shall have siphon jet. Bowl shall have 20% water savings over standard 1.6 (6 lpf) models. Bowl shall have bedpan lugs (-L). Bowl shall be 1.28 gpf (4.8 lpf). Bowl shall have 10-1/2" (26.7 cm) x 9" (22.9 cm) water area. Bowl shall be Kohler Model K-4325-\_\_\_\_\_.

## Technical Information

Fixture:	
Configuration	top spud, elongated
Water per flush	1.28 gal (4.85 L)*
Spud size	1-1/2"
Passageway	2-1/8" (5.4 cm)
Water area	10-1/2" (26.7 cm) x 9" (22.9 cm)
Water depth from rim	5-1/4" (13.3 cm)
Seat post hole centers	5-1/2" (14 cm)
Minimum static pressure required	35 psi (241.3 kPa)
Maximum static pressure	80 psi (551.6 kPa)
Required supply minimum	25 gpm (94.6 lpm)
* Designed to flush with 1.28 gal (4.8 L) of water when installed with a 1.28 gal (4.8 L) flush valve.	
Included components:	
Spud	18357
Flush valve requirements: Refer to manufacturer and local codes.	

## Installation Notes

Install this product according to the installation guide.

Will comply with the American Disabilities Act (**ADA**) when installed per the requirements of the Accessibility Guidelines, Section 604 Water Closets, of the Act, which include the installation of an open front seat.

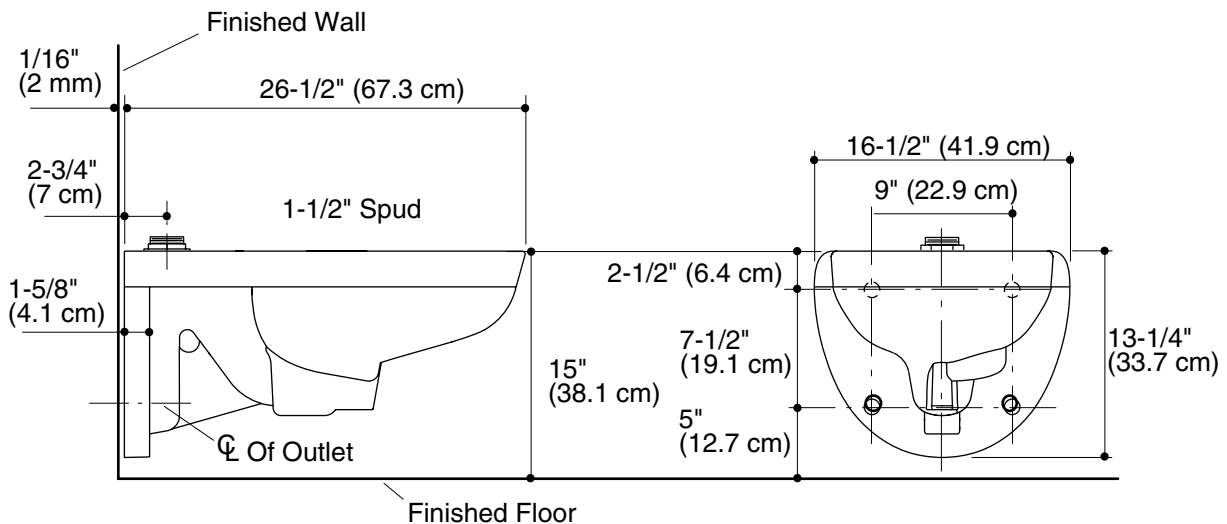
For **TAS** compliance the required seating height with the toilet seat installed is:

Adults – 17" (43.2 cm) to 19" (48.3 cm)

Children (Elementary Grade Levels 6 through 8 or 9) – 15" (38.1 cm) to 17" (43.2 cm)

Will comply with **CSA B651** when installed per Clause 4.3.6 of the standard.

Will comply with **OBC** Barrier Free requirements when installed per Clause 3.8.3.8 and 3.8.3.9.



## Product Diagram