

### WALL-MOUNT LAVATORY K-2032

ADA

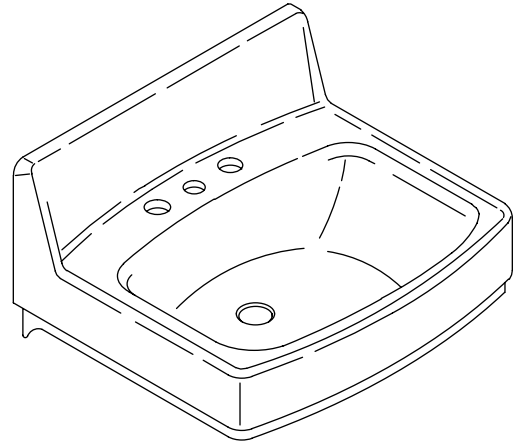
#### Features

- Wall-mount
- With overflow
- Drilled for concealed arm carrier
- 4" (10.2 cm) centers
- With hanger
- Vitreous china
- Optional soap dispenser hole on left (-L) or right (-R)
- 20-3/4" (52.7 cm) x 18-1/4" (46.4 cm)

#### Codes/Standards Applicable

Specified model meets or exceeds the following:

- ASME A112.19.2
- ADA
- IAPMO/UPC
- CSA B45



#### Colors/Finishes

- 0: White
- Other: Refer to Price Book for additional colors/finishes

#### Accessories:

- CP: Polished Chrome
- Other: Refer to Price Book for additional colors/finishes

#### Specified Model

Model	Description	Colors/Finishes	
K-2032	4" (10.2 cm) centers lavatory less soap dispenser hole	<input type="checkbox"/> 0	<input type="checkbox"/> Other _____
K-2032-L	4" (10.2 cm) centers lavatory with soap dispenser hole on left	<input type="checkbox"/> 0	<input type="checkbox"/> Other _____
K-2032-R	4" (10.2 cm) centers lavatory with soap dispenser hole on right	<input type="checkbox"/> 0	<input type="checkbox"/> Other _____
K-2032-N	4" (10.2 cm) centers lavatory less overflow	<input type="checkbox"/> 0	<input type="checkbox"/> Other _____
K-2032-NL	4" (10.2 cm) centers lavatory with soap dispenser hole on left less overflow	<input type="checkbox"/> 0	<input type="checkbox"/> Other _____
K-2032-NR	4" (10.2 cm) centers lavatory with soap dispenser hole on right less overflow	<input type="checkbox"/> 0	<input type="checkbox"/> Other _____

Recommended Accessories			
K-8998	Trap	<input type="checkbox"/> CP	<input type="checkbox"/> Other _____

#### Product Specification:

The wall-mount lavatory shall be 20-3/4" (52.7 cm) in length, and 18-1/4" (46.4 cm) in width. Lavatory shall be made of vitreous china. Lavatory shall have 4" (10.2 cm) centers drilling. Lavatory shall have overflow and hanger. Lavatory shall be drilled for concealed arm carrier. Lavatory shall have optional soap dispenser hole on left (-L) or right (-R). Lavatory shall be Kohler Model K-2032-\_\_\_\_\_.

# GREENWICH™

## Technical Information

Fixture:*		
	basin area	water depth
Lavatory	15" (38.1 cm) x 10" (25.4 cm)	3-1/4" (8.3 cm)
Drain hole	1-3/4" (4.4 cm) D.	
* Approximate measurements for comparison only.		

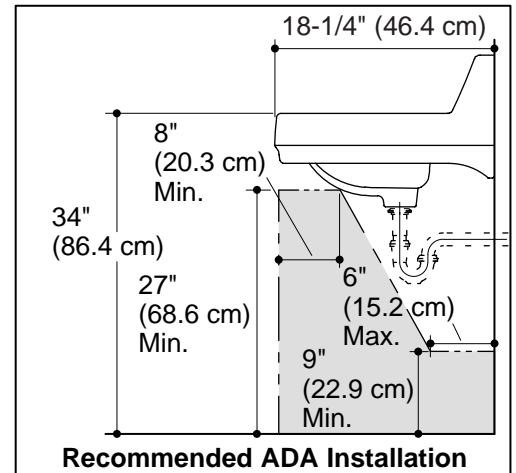
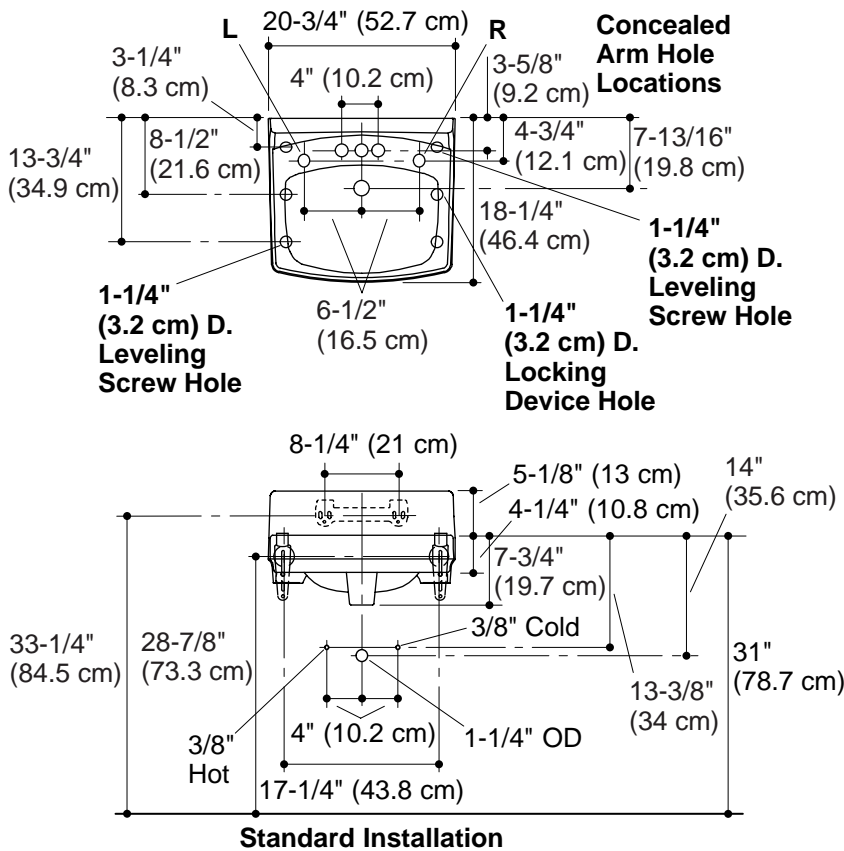
Spout hole	1-1/4" (3.2 cm) D.
Faucet hole	1-1/4" (3.2 cm) D.
Soap dispenser hole	1-1/4" (3.2 cm) D.

Included components:	
Hanger	64839
Supplied hanger is not used with concealed arm carrier.	

## Installation Notes

Install this product according to the installation guide.

A concealed arm carrier is required. It is **NOT** supplied by Kohler.



## Product Diagram