

### COUNTERTOP LAVATORY K-2217

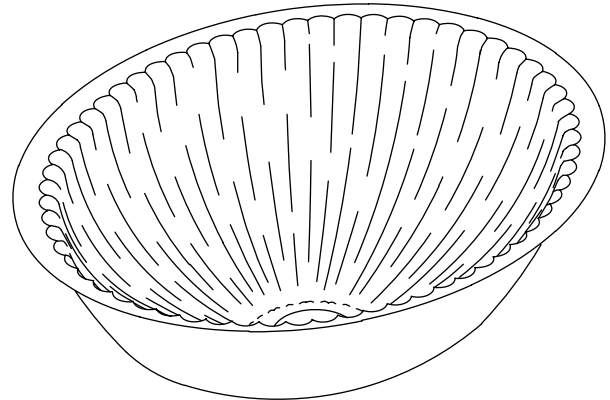
#### Features

- Vitreous china
- Self-rimming
- With overflow
- Sculptured basin
- 19" (48.3 cm) x 15" (38.1 cm)

#### Codes/Standards Applicable

Specified model meets or exceeds the following:

- ASME A112.19.2
- IAPMO/UPC
- Listed in State of Massachusetts
- CSA International



#### Colors/Finishes

- 0: White
- Other: Refer to Price Book for additional colors/finishes

#### Accessories:

- CP: Polished Chrome
- PB: Polished Brass
- Other: Refer to Price Book for additional colors/finishes

#### Specified Model

Model	Description	Colors/Finishes		
K-2217	Linia countertop lavatory	<input type="checkbox"/> 0 White	<input type="checkbox"/> Other_____	
Recommended Accessory				
K-9018	P-Trap	<input type="checkbox"/> CP	<input type="checkbox"/> PB	<input type="checkbox"/> Other_____

#### Product Specification

The self-rimming lavatory shall be 19" (48.3 cm) in length and 15" (38.1 cm) in width. Lavatory shall be made of vitreous china. Lavatory shall feature a sculptured basin. Lavatory shall include overflow. Lavatory shall be Kohler Model K-2217-\_\_\_\_\_.

## Technical Information

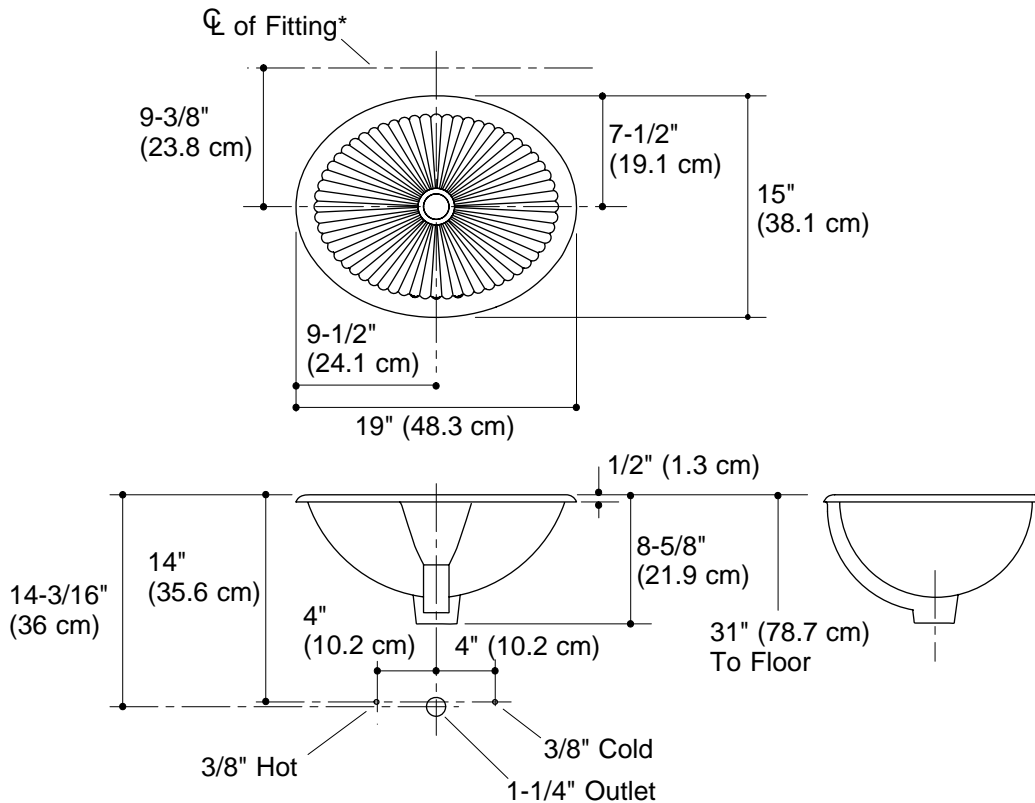
Mexico products have an <b>M</b> after the first sequence of numbers (such as K-12345 <b>M</b> )			
Fixture*:		basin area	water depth
Lavatory		17" (43.2 cm) x 13" (33 cm)	5" (12.7 cm)
Outlet	1-3/4" D. (4.4 cm)		
* Approximate measurements for comparison only.			
Included Components:			
Adjustable linkage		40372	
Cutout template		1004265-7	

## Installation Notes

Install this product according to the installation guide.

4-1/2" (11.4 cm) minimum faucet spout length needed to reach over rim into basin.

**NOTICE:** Countertop manufacturer or cutter **must** use the cutout template provided with the product, or a current one provided by Kohler Co. (call 1-800-4-KOHLER). Kohler Co. is not responsible for cutout errors when the incorrect cutout template is used.



## Product Diagram