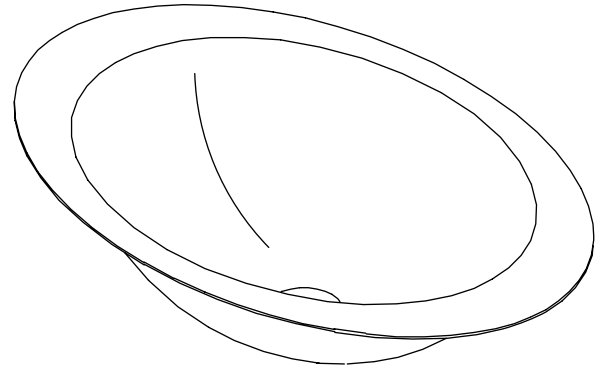


### SELF-RIMMING LAVATORY K-2603

#### Features

- Self-rimming
- 20 gauge stainless steel
- Satin finish with Hushcoat undercoat (-S)
- Mirror finish with Hushcoat undercoat (-M)
- Herringbone finish with Hushcoat undercoat (-C)
- Mottled finish with Hushcoat undercoat (-D)
- Crosschecked finish with Hushcoat undercoat (-E)
- Installation hardware included
- Without overflow
- Chrome plated brass tube and gasket included to cover the overflow hole in the drain assembly



#### Codes/Standards Applicable

Specified model meets or exceeds the following:

- ASME A112.19.3
- CSA B45

#### Colors/Finishes

- NA: None applicable

#### Accessories:

- CP: Polished Chrome
- Other: Refer to Price Book for additional colors/finishes

#### Specified Model

Model	Description	Colors/Finishes
K-2603-S	Satin finish with Hushcoat undercoat lavatory	<input type="checkbox"/> NA
K-2603-M	Mirror finish with Hushcoat undercoat lavatory	<input type="checkbox"/> NA
K-2603-C	Herringbone finish rim	<input type="checkbox"/> NA
K-2603-D	Mottled finish basin, mirror finish rim with Hushcoat undercoat lavatory	<input type="checkbox"/> NA
K-2603-E	Crosschecked finish basin, mirror finish rim with Hushcoat undercoat lavatory	<input type="checkbox"/> NA

Recommended Accessories			
K-8998	P-trap	<input type="checkbox"/> CP	<input type="checkbox"/> Other_____

#### Product Specification

The self-rimming oval lavatory shall be 23-1/8" (58.7 cm) in length, and 15-1/4" (38.7 cm) in width. Lavatory shall be made of 20 gauge stainless steel. Lavatory shall be self-rimming installation. Lavatory shall have a satin finish with Hushcoat undercoat (-S), mirror finish with Hushcoat undercoat (-M), herringbone finish rim with Hushcoat undercoat (-C), mottled finish with Hushcoat undercoat (-D) or crosschecked finish with Hushcoat undercoat (-E). Lavatory shall include installation hardware. Lavatory shall have a chrome plated brass tube and drain gasket to cover the overflow hole in the faucet drain assembly. Lavatory shall be Kohler Model K-2603-\_\_\_\_\_-\_\_\_\_\_.

# RHYTHM™

## Technical Information

Fixture:*	basin area	water depth
Lavatory	18" (45.7 cm) x 13" (33 cm)	5-7/8" (14.9 cm)
Drain hole	1-5/8" (4.1 cm) D.	
* Approximate measurements for comparison only.		

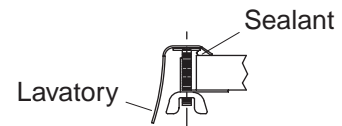
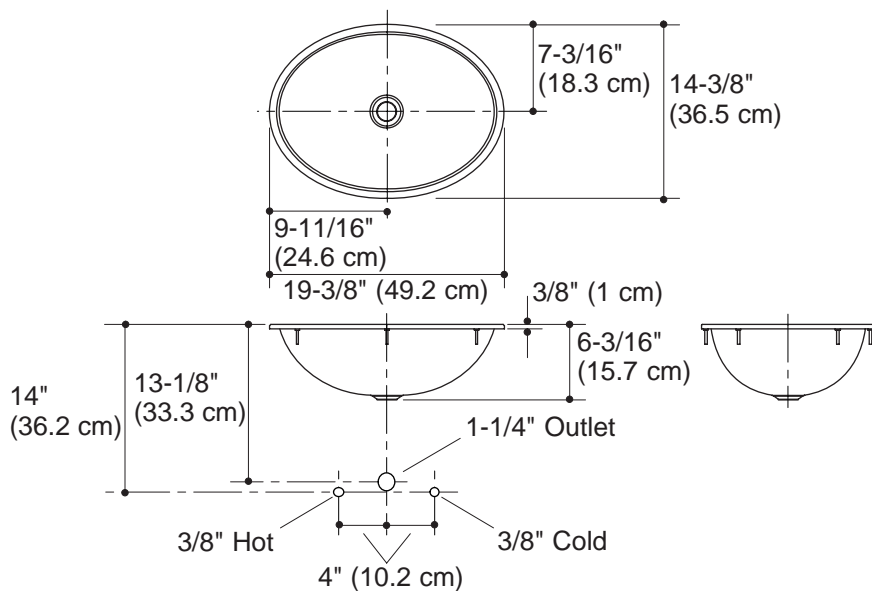
Included Components:	
Basin clamp assembly (2-packs)	7257
Drain gasket	33507
Tube	1011037-CP
Cut-out template	1006417-7

## Installation Notes

Install this product according to the installation guide.

Supplied basin clamp assembly requires 3/4" (1.9 cm) minimum countertop thickness. Installer must supply anchors for thinner countertops.

**NOTICE:** Countertop manufacturer or cutter must use the cut-out template provided by Kohler Co. (call 1-800-4-KOHLER). Kohler Co. is not responsible for cut out errors when the incorrect cut-out template is used.



## Product Diagram