

### FEATURES

- 12" (30.5cm) rough
- Vitreous china
- Elongated bowl
- Comfort height
- One-piece, compact
- 1.6 gpf (6 lpf)
- Ingenium™ flushing system
- 2" (5cm) glazed trapway
- Includes seat and cover
- 16-1/8" (41cm) high bowl with seat is ADA compliant
- Less supply
- EPDM flapper



### CODES/STANDARDS APPLICABLE

Specified model meets or exceeds the following:

- ADA
- ASME/ANSI A112.19.2M
- ASME/ANSI A112.19.6M
- ICC/ANSI A117.1
- Energy Policy Act of 1992 (EPACT)
- IAPMO/UPC

### COLORS/FINISHES

- 0 White
- Other Refer to Fixtures Price Book for additional colors

#### Accessories:

- CP Polished Chrome
- PB Polished Brass
- Other Refer to Price Book for additional colors

### SPECIFIED MODEL:

Model	Description	Colors/Finishes	
K-3322	Elongated bowl toilet (left-hand trip lever)	<input type="checkbox"/> 0 White	<input type="checkbox"/> Other _____
K-3322-RA	Elongated bowl toilet (right-hand trip lever)	<input type="checkbox"/> 0 White	<input type="checkbox"/> Other _____

Recommended Accessories				
K-7637	Angle supply with stop	<input type="checkbox"/> CP	<input type="checkbox"/> PB	<input type="checkbox"/> Other _____

Optional Accessories			
K-9464-L	Left-hand trip lever (non-CP)	<input type="checkbox"/> PB	<input type="checkbox"/> Other _____
K-9464-R	Right-hand trip lever (non-CP)	<input type="checkbox"/> PB	<input type="checkbox"/> Other _____

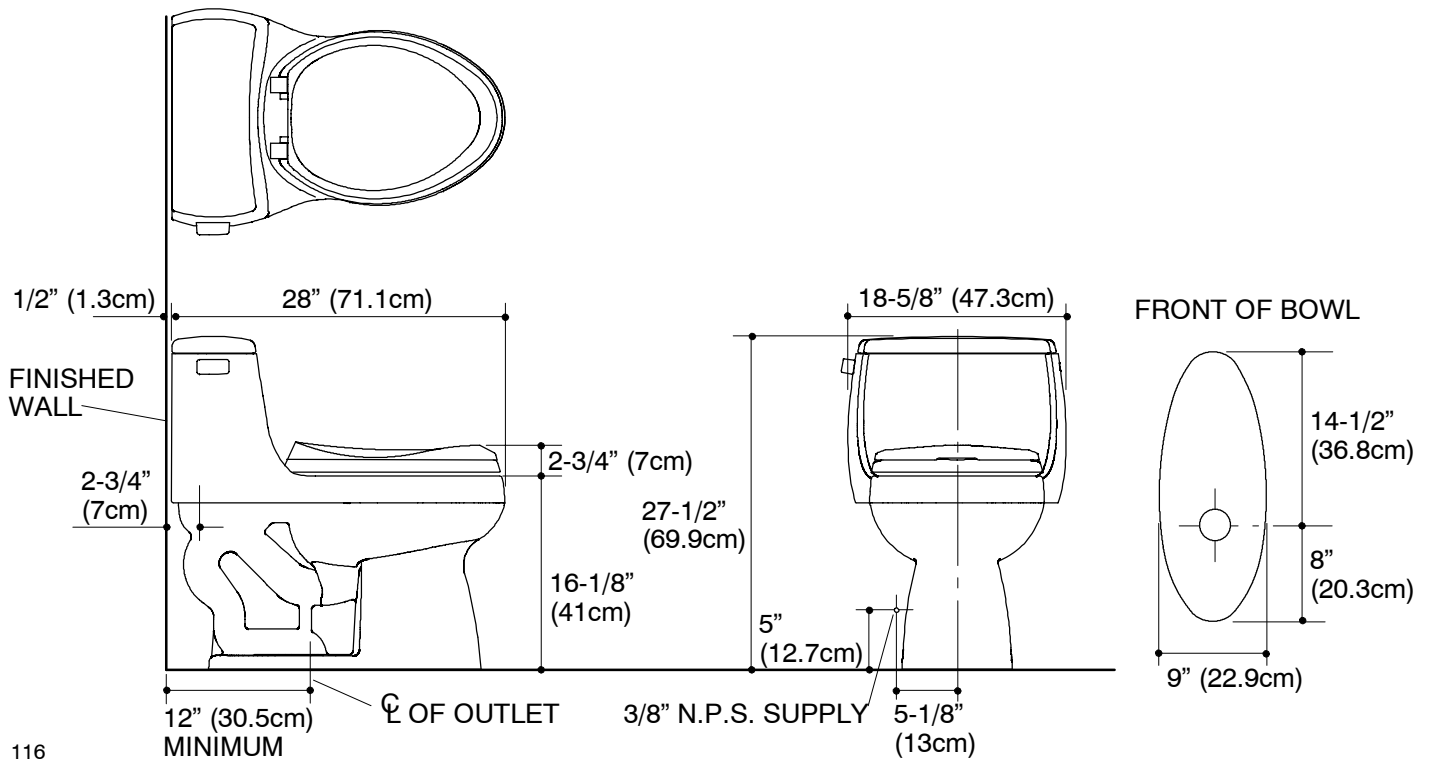
### PRODUCT SPECIFICATION:

The elongated compact 1-piece toilet shall be 12" (30.5cm) rough-in. Toilet shall be made of vitreous china. Toilet shall be 1.6 gpf (6 lpf) with Ingenium™ flushing system. Toilet shall be at comfort height. Toilet shall have 2" (5cm) glazed trapway. Toilet shall include seat and cover. Toilet shall be ADA compliant with 16-1/8" (41cm) high bowl with seat. Toilet shall be less supply. Toilet shall have EPDM flapper. Toilet shall be Kohler Model K-3322-\_\_\_\_\_-\_\_\_\_\_.

# GABRIELLE COMFORT HEIGHT™

## PRODUCT INFORMATION

ADA compliant.	
Fixture:	
Configuration	1-piece, compact elongated
Water per flush	1.6 gallons (6L)
Passageway	2" (5cm)
Water area	10-1/2" (26.7cm) x 9-1/4" (23.5cm)
Water depth from rim	5" (12.7cm)
Seat post hole centers	5-1/2" (14cm)
Included Components:	
Seat	K-4653
Tank cover	85407
Trip lever	K-9464
Bolt cap accessory pack	52048
Tank accessory pack	52265



116

## PRODUCT DIAGRAM

**K-3322** Gabrielle Comfort Height™ Toilet

Page 2 of 2

116814-4-AE

THE BOLD LOOK  
OF **KOHLER**®