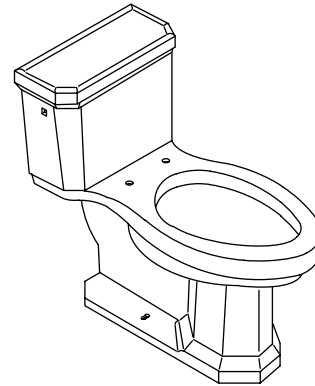


Features

- Vitreous china
- One-piece
- Less supply
- EPDM flapper
- Elongated bowl
- 1.6 gpf (6 lpf)
- 2" (5.1 cm) glazed trapway
- Comfort Height
- 12" (30.5 cm) rough-in
- 16-1/8" (41 cm) high bowl with seat is ADA compliant
- 10-1/2" (26.7 cm) x 9" (22.9 cm) water area
- Excludes seat and cover, and trip lever



Codes/Standards Applicable

Specified model meets or exceeds the following:

- ADA
- ASME A112.19.6
- ASME A112.19.2
- Energy Policy Act of 1992 (EPACT)
- IAPMO/UPC
- CSA B45

Colors/Finishes

- 0: White
- Other: Refer to Price Book for additional colors/finishes

Accessories:

- CP: Polished Chrome
- PB: Polished Brass
- Other: Refer to Price Book for additional colors/finishes

Specified Model

Model	Description	Colors/Finishes					
K-3324	Elongated bowl toilet	<input type="checkbox"/> 0 White	<input type="checkbox"/> Other_____				
Recommended Accessories							
K-7637	3/8" angle supply with stop	<input type="checkbox"/> CP	<input type="checkbox"/> PB	<input type="checkbox"/> Other_____			
Optional Accessories							
K-9451	Trip lever	<input type="checkbox"/> CP	<input type="checkbox"/> SN	<input type="checkbox"/> BN	<input type="checkbox"/> AF	<input type="checkbox"/> Other_____	
K-9438	Trip lever, alternate option	<input type="checkbox"/> CP	<input type="checkbox"/> SN	<input type="checkbox"/> BN	<input type="checkbox"/> AF	<input type="checkbox"/> Other_____	
K-4701	Elongated closed toilet seat	<input type="checkbox"/> 0 White	<input type="checkbox"/> CP	<input type="checkbox"/> SN	<input type="checkbox"/> BN	<input type="checkbox"/> AF	<input type="checkbox"/> Other_____

Product Specification:

The elongated one-piece compact toilet shall be 12" (30.5 cm) rough-in. Toilet shall be made of vitreous china. Toilet shall be at comfort height. Toilet shall be 1.6 gpf (6 lpf). Toilet shall have 2" (5.1 cm) glazed trapway. Toilet shall have 10-1/2" (26.7 cm) x 9" (22.9 cm) water area. Toilet shall exclude seat, cover, and trip lever. Toilet shall be ADA compliant with 16-1/8" (41 cm) high bowl. Toilet shall be less supply. Toilet shall have EPDM flapper. Toilet shall be Kohler Model K-3324-_____.

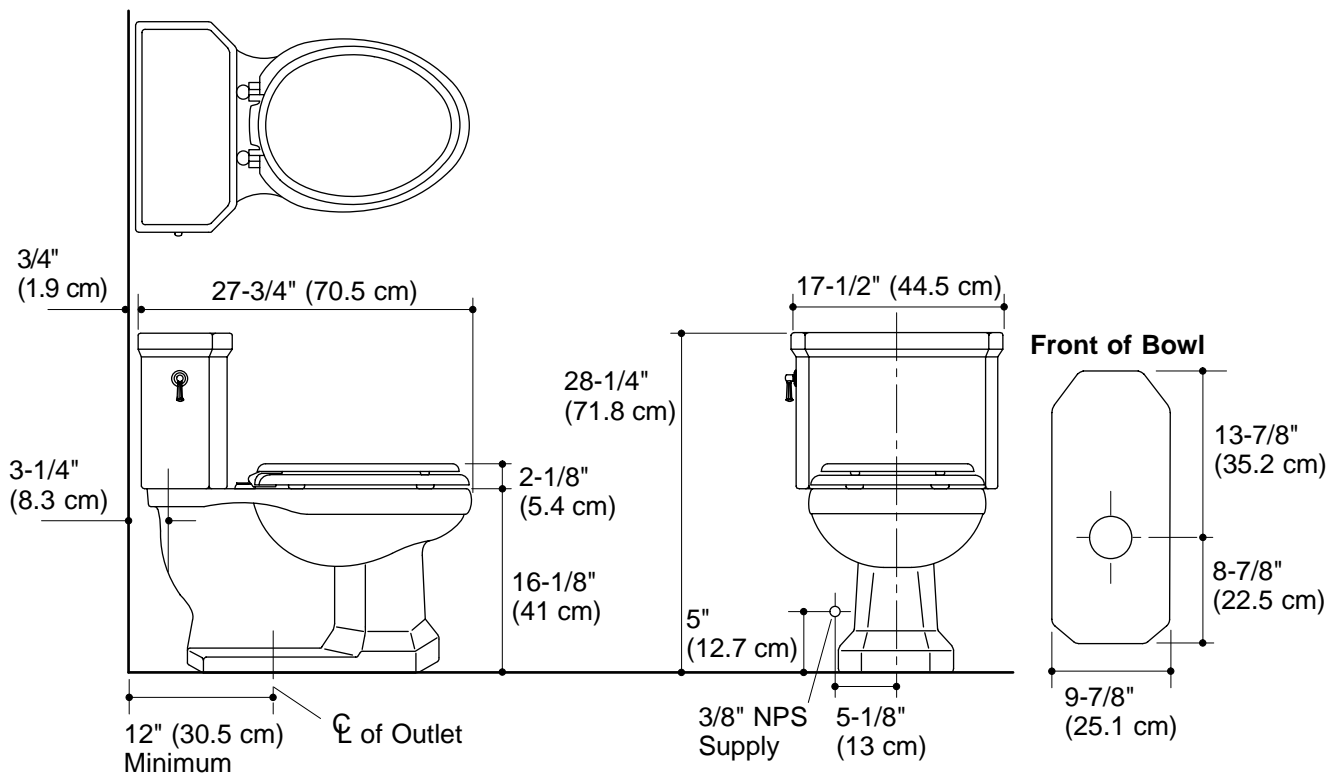
KATHRYN COMFORT HEIGHT™

Technical Information

ADA compliant	
Fixture:	
Configuration	1-piece, compact elongated
Water per flush	1.6 gallons (6 L)
Passageway	2" (5.1 cm)
Water area	10-1/2" (26.7 cm) x 9" (22.9 cm)
Water depth from rim	6" (15.2 cm)
Seat post hole centers	5-1/2" (14 cm)
Included Components:	
Tank cover	1006066
Bolt cap accessory pack	52048
Tank accessory pack	52265

Installation Notes

Install this product according to the installation guide.



Product Diagram