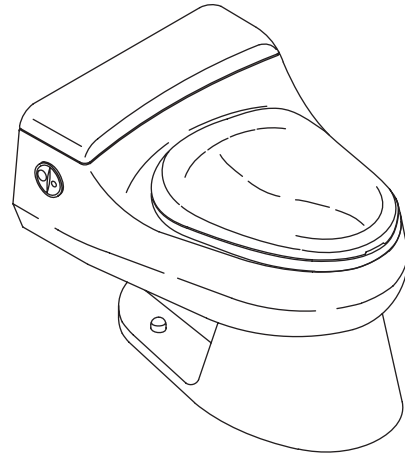


Features

- 12" (30.5 cm) rough-in
- Vitreous china
- Elongated bowl
- Power Lite™ system (see electrical service requirements)
- Includes seat and cover
- Less supply
- One-piece
- 12" (30.5 cm) x 10" (25.4 cm) water area
- Includes Twin Touch™ actuator to select either 1.0 gallon (3.8 L) flush or 1.4 gallon (5.3 L) flush



Codes/Standards Applicable

Specified model meets or exceeds the following:

- ASME A112.19.2
- ASME A112.19.6
- Energy Policy Act of 1992 (EPACT)
- IAPMO/UPC
- Underwriter's Laboratories (UL)
- Listed in City of Los Angeles, CA
- Listed in State of Texas

Colors/Finishes

- 0: White
- Other: Refer to Price Book for additional colors/finishes

Accessories:

- CP: Polished Chrome
- PB: Polished Brass
- Other: Refer to Price Book for additional colors/finishes

Specified Model

Model	Description	Colors/Finishes	
K-3398	Elongated bowl toilet	<input type="checkbox"/> 0 White	<input type="checkbox"/> Other_____
Recommended Accessories			
K-7637	3/8" N.P.S supply, 3/8" riser tube	<input type="checkbox"/> CP	<input type="checkbox"/> Other_____
Optional Accessories			
K-9433-A	Twin Touch™ actuator (non-CP)	<input type="checkbox"/> PB	<input type="checkbox"/> Other_____

Product Specification:

The elongated one-piece toilet shall be 12" (30.5 cm) rough-in with Kohler Power Lite™ system. Toilet shall be made of vitreous china. Toilet shall include seat and cover. Toilet shall include Twin Touch™ actuator to select either 1.0 gallon (3.8 L) flush or 1.4 gallon (5.3 L) flush. Toilet shall have 12" (30.5 cm) x 10" (25.4 cm) water area. Toilet shall be less supply. Toilet shall be Kohler Model K-3398-_____.

SAN RAPHAEL™

Technical Information

Fixture:	
Configuration	1-piece, elongated
Water per flush	1.0 gal (3.8 L) / 1.4 gal (5.3 L)
Passageway	2-1/8" (5.4 cm)
Water depth from rim	5-7/8" (14.9 cm)
Water area	12" (30.5 cm) x 10" (25.4 cm)
Seat post hole centers	5-1/2" (14 cm)

Minimum static pressure required	15 psi (1 kg/cm ²)
Included Components:	
Tank Cover	84628
Bolt cap accessory pack	52048
Seat	K-4653
Twin Touch™ actuator	81996
Tank accessory pack	84301

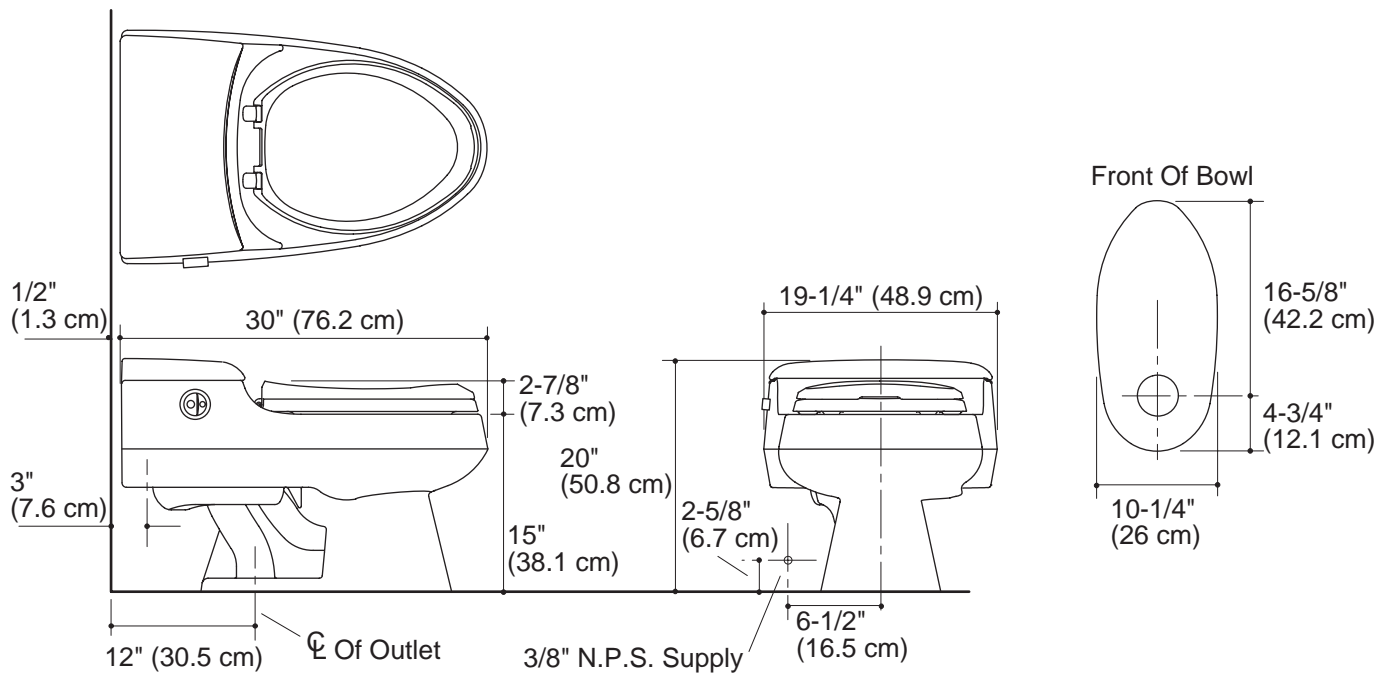
Pump	1/5 Hp, 120 VAC, 8.5 A, 60 Hz
------	-------------------------------

Required Electrical Service

Dedicated circuit required, protected with Class A Ground-Fault Circuit-Interrupter (GFCI):	
Receptacle	120 VAC, 15 A, 60 Hz

Installation Notes

Install this product according to the installation guide.



Product Diagram