



FEATURES

- 12" (30.5cm) rough-in
- Elongated vitreous china
- 11-1/8" (28.3cm) x 9-1/2" (24.1cm) water area
- Comfort height
- 1.6 gpf (6 lpf)
- Ingenium™ flushing system
- 2" (5cm) glazed trapway
- Includes polished chrome trip lever
- Combination toilet
- 16-1/2" (41.9cm) high bowl is ADA compliant
- Less seat and supply
- With Insuliner® insulated tank lining (-U) and tank cover locks (-T)

CODES/STANDARDS APPLICABLE

Specified model meets or exceeds the following:

- ADA
- ASME/ANSI A112.19.2M
- ASME/ANSI A112.19.6M
- CABO/ANSI A117.1
- Energy Policy Act of 1992 (EPACT)
- IAPMO/UPC

COLORS/FINISHES

- 0 White
- Other Refer to Fixtures Price Book for additional colors

Accessories:

- 0 White
- CP Polished Chrome
- PB Polished Brass
- Other Refer to Fixtures Price Book for additional colors

SPECIFIED MODEL:

Model	Description	Colors/Finishes	
		<input type="checkbox"/> 0 White	<input type="checkbox"/> Other_____
K-3427	Elongated bowl toilet	<input type="checkbox"/> 0 White	<input type="checkbox"/> Other_____
K-3427-U	Toilet with Insuliner tank	<input type="checkbox"/> 0 White	<input type="checkbox"/> Other_____
K-3427-T	Toilet with tank cover locks	<input type="checkbox"/> 0 White	<input type="checkbox"/> Other_____
K-3427-UT	Toilet with tank cover locks and insuliner tank	<input type="checkbox"/> 0 White	<input type="checkbox"/> Other_____
Recommended Accessories			
K-4664	Brevia™ seat with cover	<input type="checkbox"/> 0 White	<input type="checkbox"/> Other_____
K-4653	French Curve™ seat with cover	<input type="checkbox"/> 0 White	<input type="checkbox"/> Other_____
K-7637	Angle supply with stop	<input type="checkbox"/> CP <input type="checkbox"/> PB	<input type="checkbox"/> Other_____
Optional Accessories			
K-9404-L	Trip lever (non-CP)	<input type="checkbox"/> PB	<input type="checkbox"/> Other_____

PRODUCT SPECIFICATION:

The elongated combination toilet shall be 12" (30.5cm) rough-in. Toilet shall be made of vitreous china. Toilet shall have 11-1/8" (28.3cm) x 9-1/2" (24.1cm) water area. Toilet shall be at comfort height. Toilet shall be 1.6 gpf (6 lpf) with Ingenium™ flushing system. Toilet shall have 2" (5cm) glazed trapway. Toilet shall include polished chrome trip lever. Toilet shall be ADA compliant with 16-1/2" (41.9cm) high bowl. Toilet shall be less seat and supply. Toilet shall have Insuliner® insulated tank lining (-U). Toilet shall have tank cover locks (-T). Toilet shall be Kohler Model K-3427-_____ -_____.

HIGHLINE COMFORT HEIGHT™

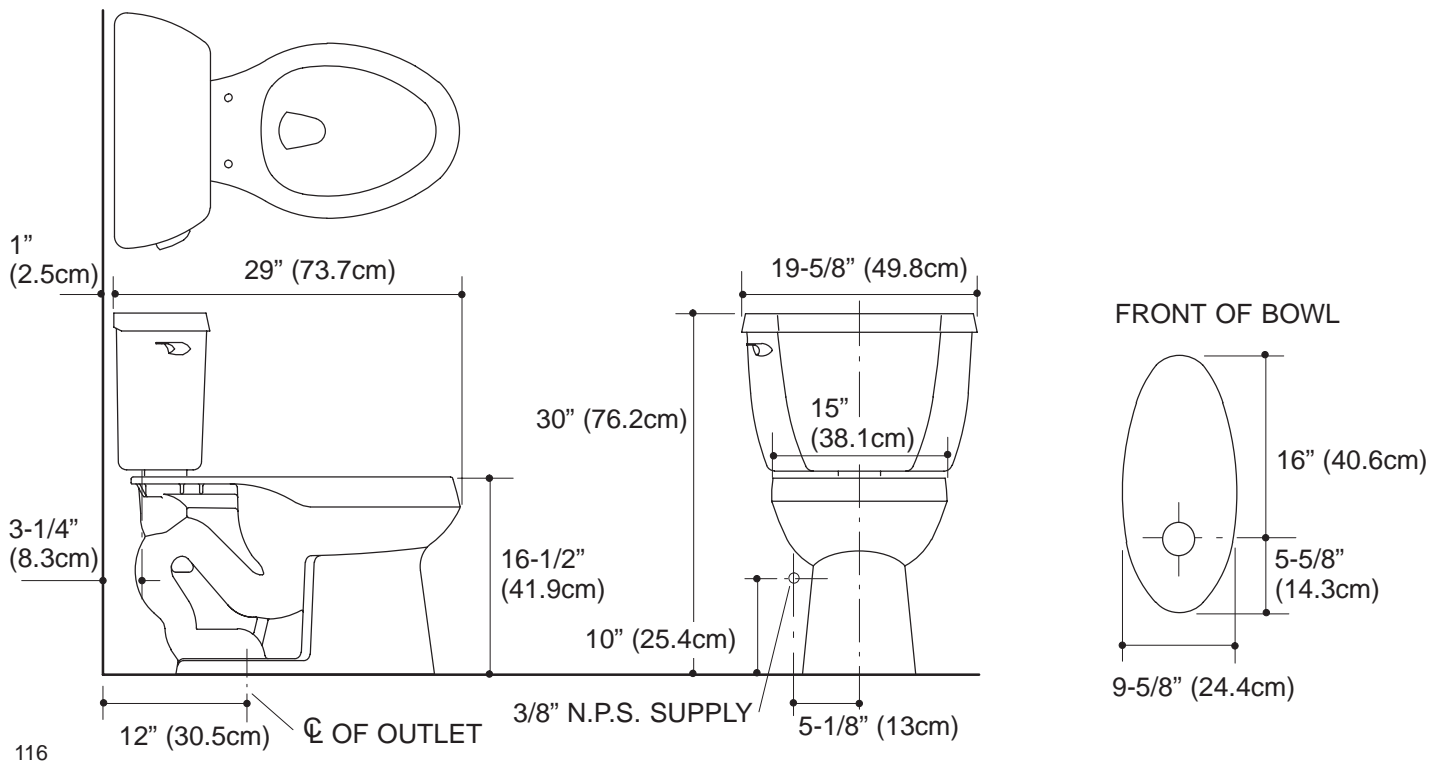
PRODUCT INFORMATION

Fixture:	
Configuration	2-piece, elongated
Water per flush	1.6 gallons (6L)
Passageway	2" (5cm)
Water area	11-1/8" (28.3cm) x 9-1/2" (24.1cm)
Water depth from rim	6" (15.2cm)
Seat post hole centers	5-1/2" (14cm)
Included Components:	
Bowl	K-4274
Tank	K-4620
Tank cover	84591
Trip lever	K-9404

INSTALLATION NOTES

Install this product according to the installation guide.

Fixture dimensions are nominal and conform to tolerances in ASME Standard A112.19.2M.



PRODUCT DIAGRAM