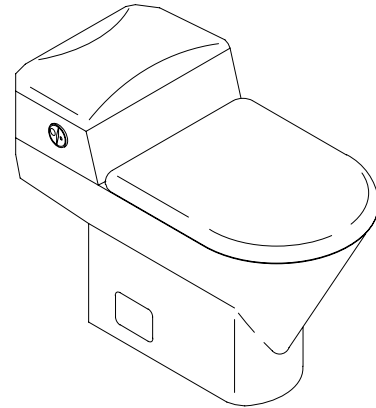


FEATURES

- 12" rough-in
- Vitreous china
- 11-1/2" x 8-5/8" water area
- Elongated bowl
- Power Lite™ system (requires a 120 volt GFCI outlet)
- Includes seat and cover
- Includes Twin Touch® actuator to select either 1.1 gallon flush or 1.6 gallon flush
- One-piece
- Less supply



CODES/STANDARDS APPLICABLE

Specified model meets or exceeds the following:

- ASME/ANSI A112.19.2M
- ASME/ANSI A112.19.6M
- Energy Policy Act of 1992 (EPACT)
- IAPMO/UPC
- Underwriters Laboratories (UL)
- States of Massachusetts, New York, & Texas
- Cities of Los Angeles, CA
- New York State Accepted for Commercial Use per Environmental Conservation Law (A2816 of 8/2/95)

COLORS/FINISHES

- 0 White

Accessories:

- CP Polished Chrome
- PB Polished Brass
- Other Refer to Price Book for additional colors

SPECIFIED MODEL:

Model	Description	Colors/Finishes
K-3437	Elongated bowl toilet	<input type="checkbox"/> 0 White

Recommended Accessories				
K-7637	Angle supply with stop	<input type="checkbox"/> CP	<input type="checkbox"/> PB	<input type="checkbox"/> Other_____

Optional Accessories		
K-9433	Twin Touch™ Actuator (non-CP)	<input type="checkbox"/> PB

PRODUCT SPECIFICATION:

The elongated one-piece toilet shall be 12" rough-in with Kohler Power Lite™ system. Toilet shall be made of vitreous china. Toilet shall have 11-1/2" x 8-5/8" water area. Toilet shall include seat and cover. Toilet shall include Twin Touch® actuator to select either 1.1 gallon flush or 1.6 gallon flush. Toilet shall be less supply. Toilet shall be Kohler Model K-3437-_____.

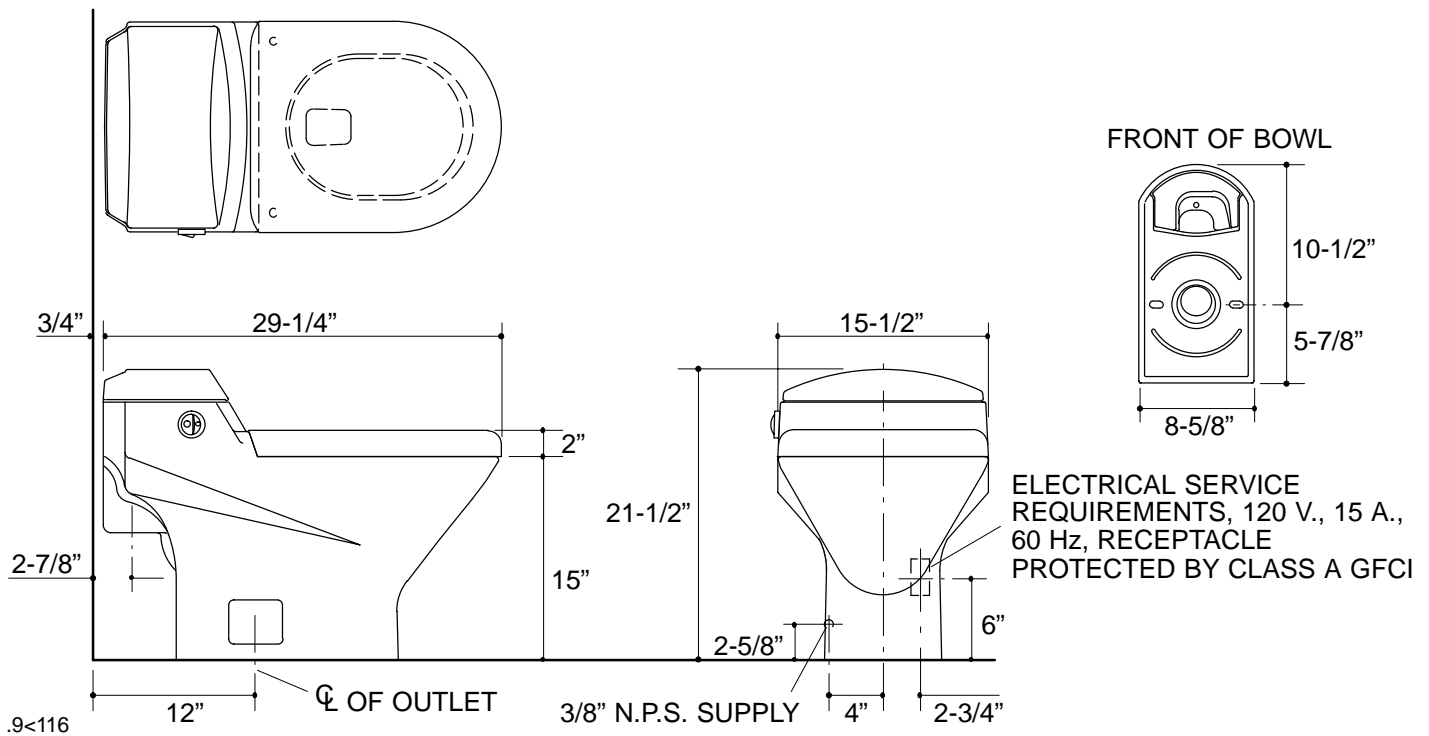
TROCADERO™

REQUIRED ELECTRICAL SERVICE

Dedicated circuit required, protected with Class A Ground-Fault Circuit-Interrupter (GFCI):	
Receptacle	120 V., 15 A, 60 Hz

PRODUCT INFORMATION

Fixture:				
Configuration	1-piece, elongated			
Gallons per flush	1.1/1.6 gallons			
Passageway	2-1/4"			
Water area	11-1/2" x 8-5/8"			
Water depth from rim	5-1/2"			
Seat post hole centers	12-5/8"			
Minimum running pressure required	15 p.s.i.			
Included Components:				
Seat	K-4612			
Tank cover	82383			
Twin Touch™ actuator	K-9433			
Bolt cap accessory pack	42764			
Tank accessory pack	52265			
Pump	HP	V	Hz	A
	1/5	120	60	8.5



PRODUCT DIAGRAM