



FEATURES

- Concealed trapway
- Ingenium™ flushing system
- 1.6 gpf (6L) performance comparable to 3.5 gpf (13L) models
- 12" (30.5cm) rough-in
- Vitreous china
- 10-1/2" (26.7cm) x 9-1/4" (23.5cm) water area
- Elongated bowl
- Comfort height
- Includes polished chrome lift knob and flange
- Combination toilet
- 16-1/2" (41.9cm) high bowl is ADA compliant
- Less seat and supply

CODES/STANDARDS APPLICABLE

Specified model meets or exceeds the following:

- ADA
- ASME A112.19.2
- CABO/ANSI A117.1
- Energy Policy Act of 1992 (EPACT)
- CSA B45
- IAPMO/UPC

COLORS/FINISHES

- 0 White
- Other Refer to Price Book for additional colors

Accessories:

- 0 White
- CP Polished Chrome
- PB Polished Brass
- Other Refer to Price Book for additional colors

SPECIFIED MODEL:

Model	Description	Colors/Finishes	
K-3468	Elongated bowl toilet	<input type="checkbox"/> 0 White	<input type="checkbox"/> Other _____
Recommended Accessories			
K-4664	Brevia™ seat with cover	<input type="checkbox"/> 0 White	<input type="checkbox"/> Other _____
K-4652	Lustra™ seat with cover	<input type="checkbox"/> 0 White	<input type="checkbox"/> Other _____
K-7637	Angle supply with stop	<input type="checkbox"/> CP <input type="checkbox"/> PB	<input type="checkbox"/> Other _____
Optional Accessories			
K-9446	Flush actuator (non-CP)	<input type="checkbox"/> PB	<input type="checkbox"/> Other _____

PRODUCT SPECIFICATION:

The elongated combination toilet shall be 12" (30.5cm) rough-in. Toilet shall be made of vitreous china. Toilet shall have concealed trapway. Toilet shall have 10-1/2" (26.7cm) x 9-1/4" (23.5cm) water area. Toilets shall have Kohler Ingenium™ flushing system. Toilet shall be at comfort height. Toilet shall be 1.6 gpf (6L). Toilet shall include polished chrome lift knob and flange. Toilet shall be ADA compliant with 16-1/2" (41.9cm) high bowl. Toilet shall be less seat and supply. Toilet shall be Kohler Model K-3468-_____.

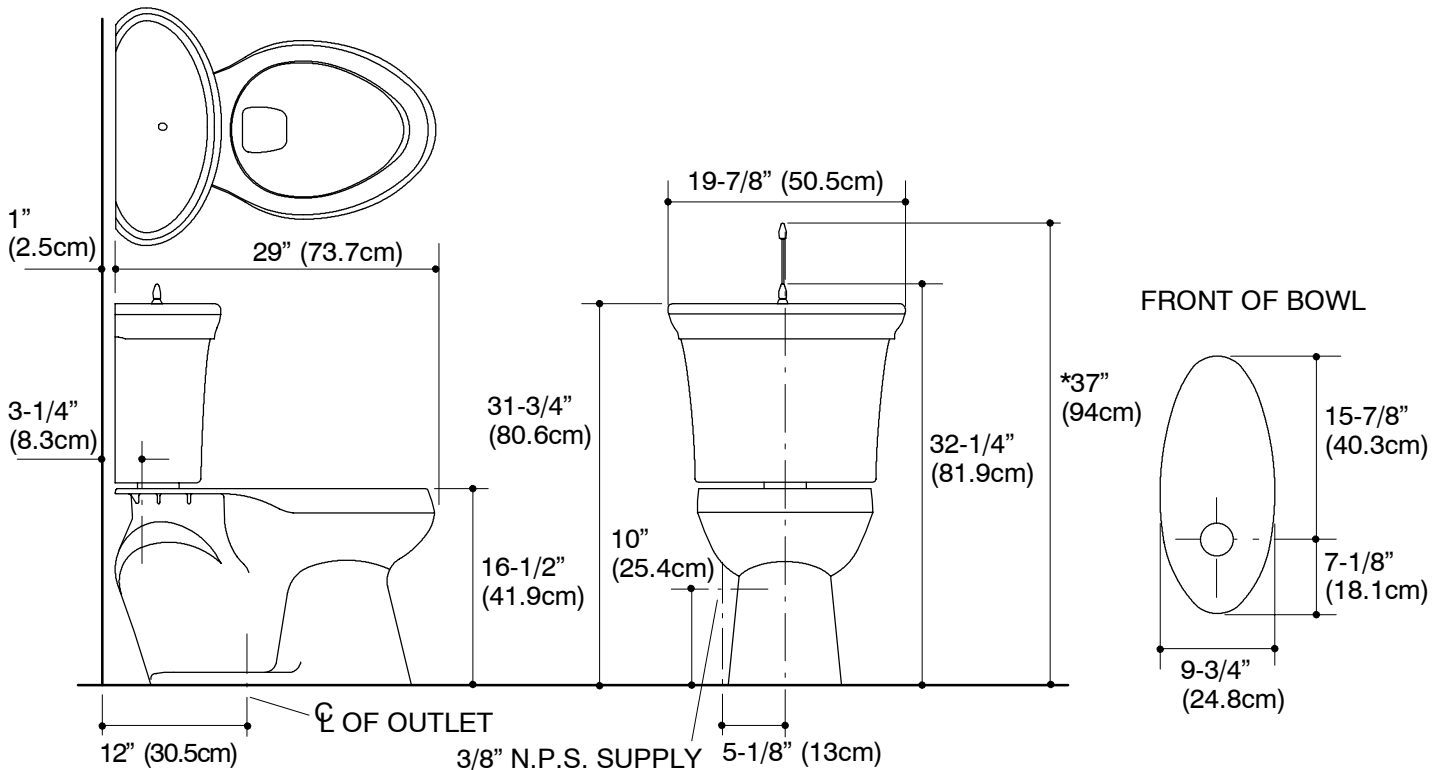
SERIF™ COMFORT HEIGHT™

PRODUCT INFORMATION

Fixture:	
Configuration	2-piece, elongated
Water per flush	1.6 gallons (6L)
Passageway	2-1/8" (5.4cm)
Water area	10-1/2" (26.7cm) x 9-1/4" (23.5cm)
Water depth from rim	5-1/2" (14cm)
Seat post hole centers	5-1/2" (14cm)
Included Components:	
Bowl	K-4278
Tank	K-4608
Tank cover	1032188
Flush actuator	K-9446

INSTALLATION NOTES

Install this product according to the installation guide.
 * Indicates maximum lift of trip lever during actuation.



PRODUCT DIAGRAM