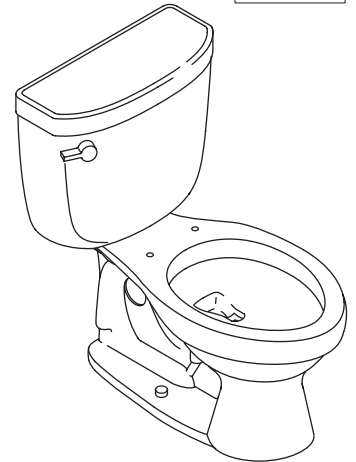


COMFORT HEIGHT™ TOILET K-3496 ALSO K-3496-RA

ADA



Features

- 12" (30.5 cm) rough-in
- Vitreous china
- Elongated bowl
- EPDM flapper
- Less seat and supply
- Combination toilet
- Class 5™ flushing system
- 1.6 gpf (6 lpf) or 1.4 gpf (5.3 lpf)
- 2-1/8" (5.4 cm) glazed trapway
- 16-1/2" (41.9 cm) high bowl is ADA compliant
- 11-3/4" (29.8 cm) x 9-1/4" (23.5 cm) water area

Codes/Standards Applicable

Specified model meets or exceeds the following:

- ADA
- ASME A112.19.2
- ASME A112.19.6
- Energy Policy Act of 1992 (EPACT)
- IAPMO/UPC
- CSA B45

Colors/Finishes

- 0: White
- Other: Refer to Price Book for additional colors/finishes

Accessories:

- PB: Polished Brass
- Other: Refer to Price Book for additional colors/finishes

Specified Model

Model	Description	Colors/Finishes	
K-4286	Elongated bowl toilet	<input type="checkbox"/> 0 White	<input type="checkbox"/> Other_____
K-4634	Toilet tank (Left handed trip lever)	<input type="checkbox"/> 0 White	<input type="checkbox"/> Other_____
K-4634-RA	Toilet tank (Right handed trip lever)	<input type="checkbox"/> 0 White	<input type="checkbox"/> Other_____

Recommended Accessories

K-4664	Brevia™ seat with cover	<input type="checkbox"/> 0 White	<input type="checkbox"/> Other_____
K-7637	3/8" Angle supply with stop	<input type="checkbox"/> CP	<input type="checkbox"/> PB <input type="checkbox"/> Other_____

Optional Accessories

K-9466-L	Left Trip lever (non-CP)	<input type="checkbox"/> PB	<input type="checkbox"/> Other_____
K-9466-R	Right Trip lever (non-CP)	<input type="checkbox"/> PB	<input type="checkbox"/> Other_____
K-9470-L	Left Trip lever	<input type="checkbox"/> PB	<input type="checkbox"/> Other_____
K-9470-R	Right Trip lever	<input type="checkbox"/> PB	<input type="checkbox"/> Other_____

Product Specification:

The elongated 2-piece toilet combination shall be 12" (30.5 cm) rough-in. Toilet shall be made of vitreous china. Toilet shall be at comfort height. Toilet shall be 1.6 gpf (6 lpf) or 1.4 gpf (5.3 lpf), with Class 5™ flushing system. Toilet shall have 2-1/8" (5.4 cm) glazed trapway. Toilet shall include polished chrome trip lever. Toilet shall be ADA compliant with 16-1/2" (41.9 cm) high bowl. Toilet shall be less supply. Toilet shall have EPDM flapper. Toilet shall have 11-3/4" (29.8 cm) x 9-1/4" (23.5 cm) water area. Toilet shall be Kohler Model K-3496-_____.

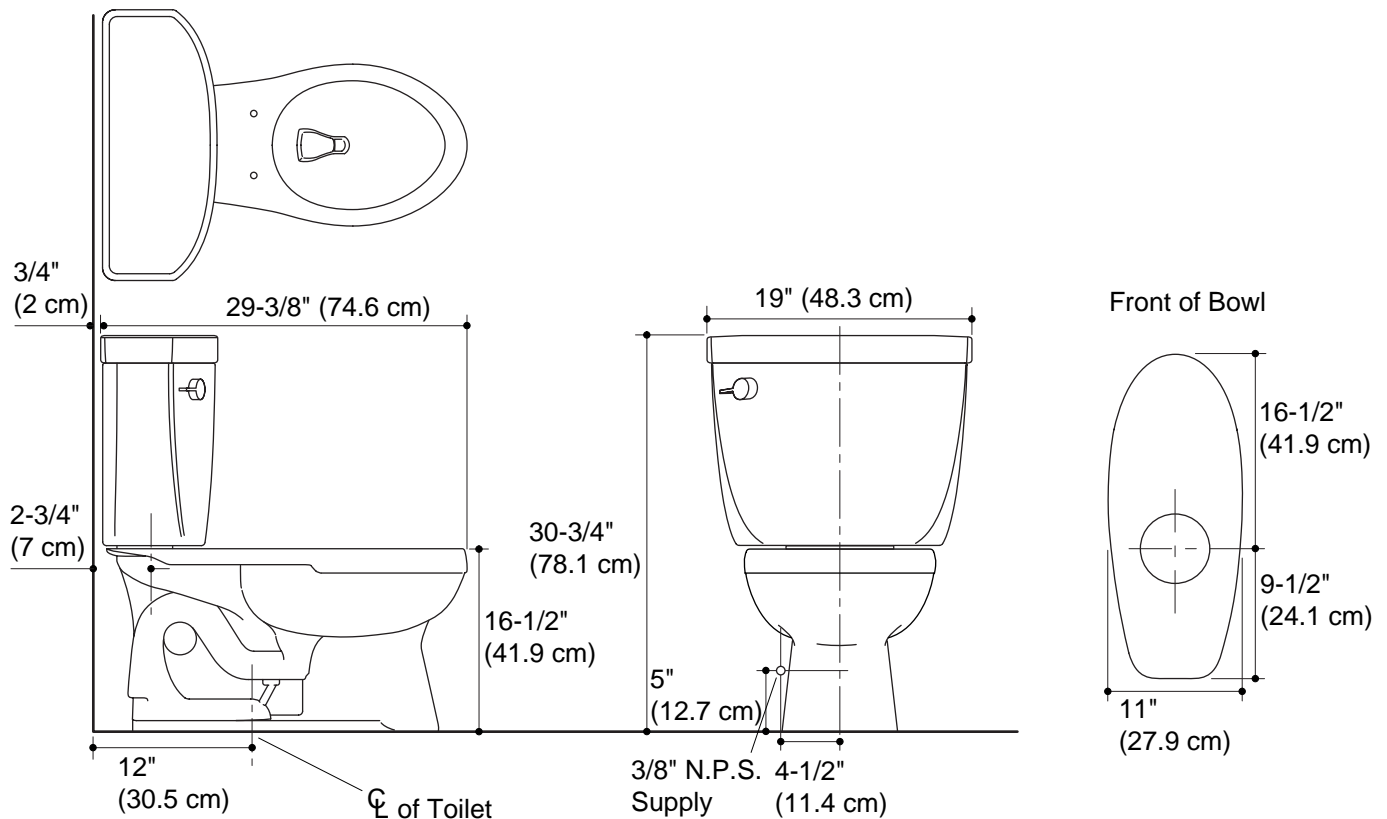
CIMARRON™

Technical Information

ADA compliant:	
Fixture:	
Configuration	2-piece, elongated
Water per flush	1.6 gallons (6 L) or 1.4 gallons (5.3 L)
Passageway	2-1/8" (5.4 cm)
Water area	11-3/4" (29.8 cm) x 9-1/4" (23.5 cm)
Water depth from rim	5-7/8" (14.9 cm)
Seat post hole centers	5-1/2" (14 cm)
Included Components:	
Tank cover	1015867
Trip lever, left handed	1034693
Trip lever, right handed	1036058
Bolt cap accessory pack	1013092
Tank accessory pack	1016548

Installation Notes

Install this product according to the installation guide.



Product Diagram