

URINAL K-4960-ET

ADA

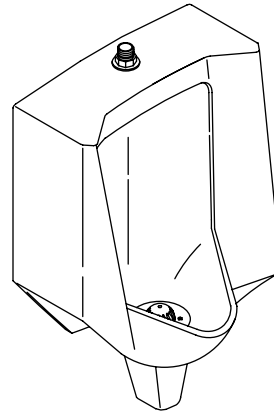
Features

- Vitreous china
- Washout
- 3/4" top spud
- 0.5 gpf (1.89 lpf) to 1 gpf (3.78 lpf)
- 14" (35.6 cm) extended rim

Codes/Standards Applicable

Specified model meets or exceeds the following:

- ADA when rim is mounted no higher than 17" (43.2 cm) from finished floor
- ASME A112.19.2/CSA B45.1
- ICC/ANSI A117.1



Colors/Finishes

- 0: White
- Other: Refer to Price Book for additional colors/finishes

Accessories

- G: Brushed Chrome

Specified Model

Model	Description	Colors/Finishes	
K-4960-ET	3/4" top spud urinal	<input type="checkbox"/> 0	<input type="checkbox"/> Other _____
Optional Accessories			
K-13686	Touchless battery-powered urinal flush valve, fixture mounted	<input type="checkbox"/> G	

Product Specification

Washout urinal shall be made of vitreous china with a 3/4" top spud. Urinal shall have a 14" (35.6 cm) extended rim. Urinal shall include a removable beehive strainer, inlet and outlet spud, and hangers. Urinal shall use 0.5 gpf (1.89 lpf) to 1 gpf (3.78 lpf). Urinal shall be Kohler Model K-4960-ET-_____.

BARDON™ SUPERIOR

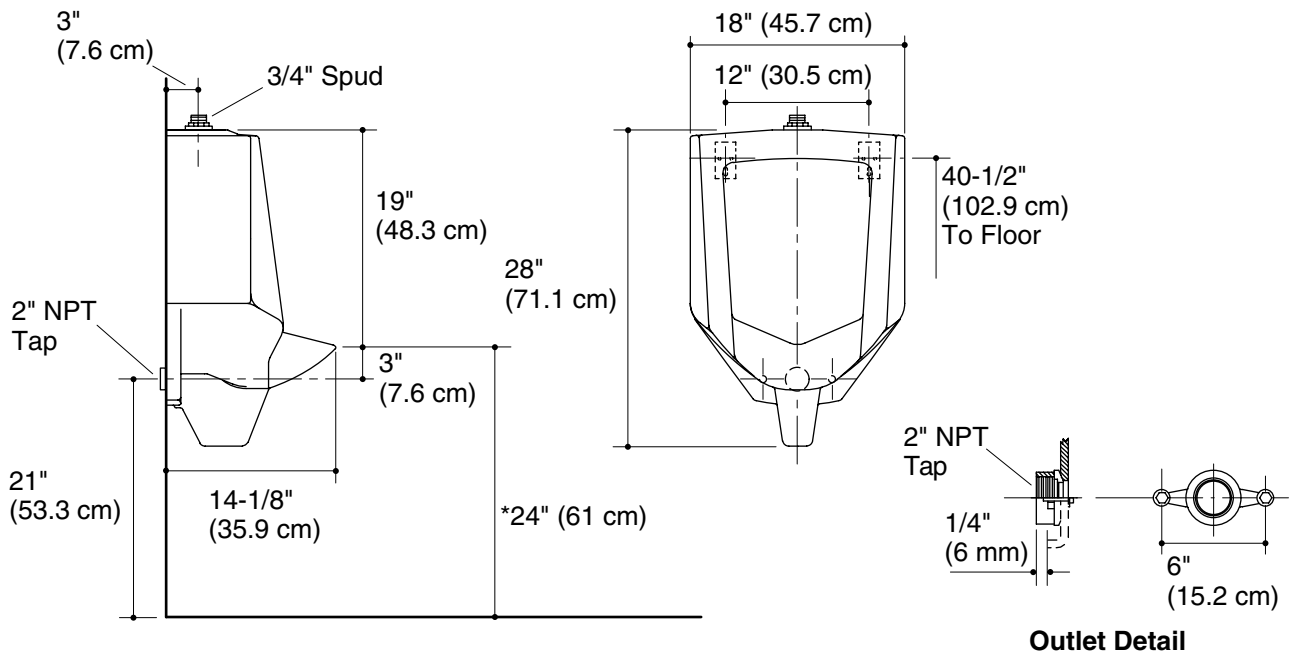
Technical Information

Urinal complies with ADA requirements when rim is mounted no higher than 17" (43.2 cm) from finished floor.	
ADA	
Fixture:	
Configuration	3/4" top spud urinal
Water per flush	0.5 gal (1.89 L) to 1 gal (3.78 L)*
Spud inlet size	3/4"
*Designed to flush with 0.5 gal (1.89 L) when installed with a 0.5 gal (1.89 L) flush valve.	
Included components:	
3/4" inlet spud	18376
2" outlet spud	18766
Strainer	85061
Hanger (2 required)	64512

Installation Notes

Install this product according to the installation guide. Refer to manufacturer's instructions and local codes for flush valve requirements.

*Urinal complies with ADA requirements when rim is mounted no higher than 17" (43.2 cm) from finished floor.



Product Diagram