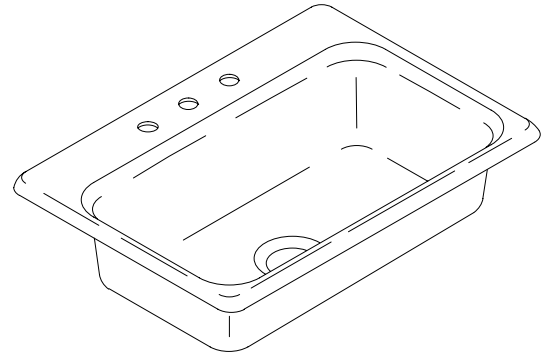


SELF-RIMMING KITCHEN SINK

K-5832

FEATURES

- 31" x 22"
- Cast iron
- Acid resistant enamel finish
- Self-rimming
- Single compartment
- 3-hole (K-5832-3), or 4-hole (K-5832-4) drilling



CODES/STANDARDS APPLICABLE

Specified model meets or exceeds the following:

- ASME/ANSI A112.19.1M
- IAPMO/UPC
- State of Massachusetts

COLORS/FINISHES

- 0 White
- Other Refer to Fixtures Price Book for additional colors

Accessories:

- CP Polished Chrome
- 0 White
- Other Refer to Price Book for additional finishes

SPECIFIED MODEL:

Model	Description	Colors/Finishes	
K-5832-3	3-hole sink	<input type="checkbox"/> 0 White	<input type="checkbox"/> Other_____
K-5832-4	4-hole sink	<input type="checkbox"/> 0 White	<input type="checkbox"/> Other_____

Recommended Accessories			
K-9000	Trap	<input type="checkbox"/> CP	
Optional Accessories			
K-5836	Polyethylene cutting board	<input type="checkbox"/> 0 White	
K-6517	Bottom basin rack	<input type="checkbox"/> 0 White	<input type="checkbox"/> Other_____
K-8801	Duostrainer sink strainer	<input type="checkbox"/> CP	<input type="checkbox"/> Other_____

PRODUCT SPECIFICATION:

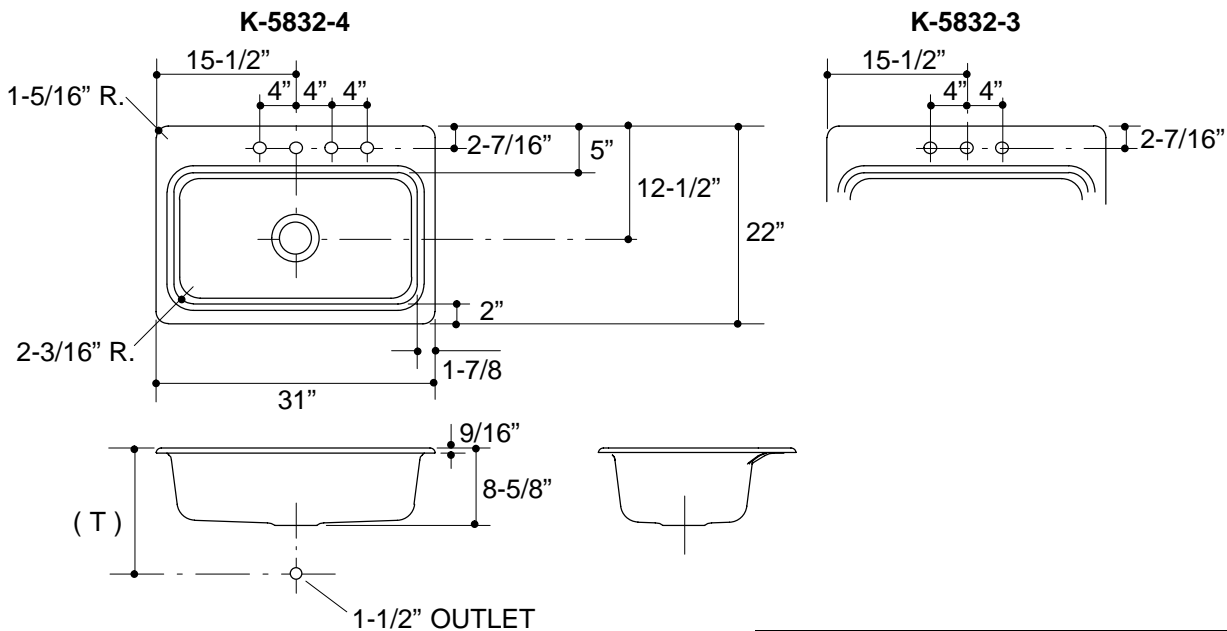
The self-rimming sink shall be 31" in length, and 22" in width. Sink shall be made of cast iron with acid resistant enamel finish. Sink shall be single compartment. Sink shall be 3-hole (K-5832-3), or 4-hole (K-5832-4) drilled. Sink shall be Kohler Model K-5832-_____-_____.

BAKERSFIELD™

PRODUCT INFORMATION

Fixture*:		basin area	water depth
Sink		27" x 15"	8"
Outlets	3-5/8" D.		
Faucet holes	1-3/8" D.		

* Approximate measurements for comparison only.



Roughing-In Notes	
(T) Drain typically 14".	
Cutout	29-3/4" x 20-3/4" with 1" radius corners.

.75<116

PRODUCT DIAGRAM