

BARDON™ 1/8th GPF

HIGH EFFICIENCY URINAL (HEU) K-4904-ET

Features

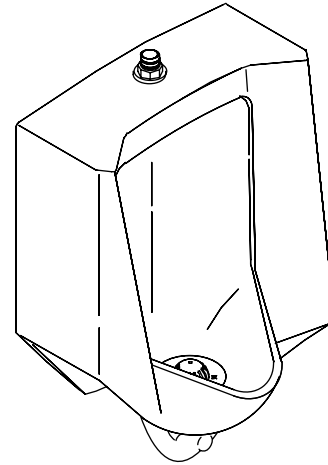
- Vitreous china
- Washout
- 3/4" top spud
- 14" (35.6 cm) extended rim
- 0.125 gpf (0.473 lpf)
- WaterSense® compliant when used with K-10668 or K-10949



Codes/Standards Applicable

Specified model meets or exceeds the following:

- ADA
- ICC/ANSI A117.1
- ASME A112.19.2/CSA B45.1
- Energy Policy Act of 1992
- EPA WaterSense®



Colors/Finishes

- 0: White
- Other: Refer to Price Book for additional colors/finishes

Accessories

- CP: Polished Chrome

Specified Model

Model	Description	Colors/Finishes	
K-4904-ET	High Efficiency Urinal (HEU) with 3/4" (1.9 cm) top spud	<input type="checkbox"/> 0	<input type="checkbox"/> Other _____
Recommended Accessories			
K-10668	0.125 gpf (0.47 lpf) Touchless DC flushometer with WAVE technology	<input type="checkbox"/> CP	
K-10949	0.125 gpf (0.47 lpf) Touchless DC flushometer with TriPoint™ technology	<input type="checkbox"/> CP	

Product Specification

Washout urinal shall be made of vitreous china with a 3/4" (1.9 cm) top spud. Urinal shall have a 14" (35.6 cm) extended rim. Urinal shall use 0.125 gpf (0.47 lpf). Urinal shall be WaterSense compliant when used with K-10668 or K-10949. Urinal shall be Kohler Model K-4904-ET-_____.

BARDON™ 1/8th GPF

Technical Information

Fixture:	
Configuration	3/4" (1.9 cm) top spud urinal
Water per flush	0.125 gpf (0.473 lpf)
Spud inlet size	3/4" (1.9 cm)

Included components:	
3/4" inlet spud	18376
2" outlet spud	18766
Strainer	85061
Hanger (2 required)	64512

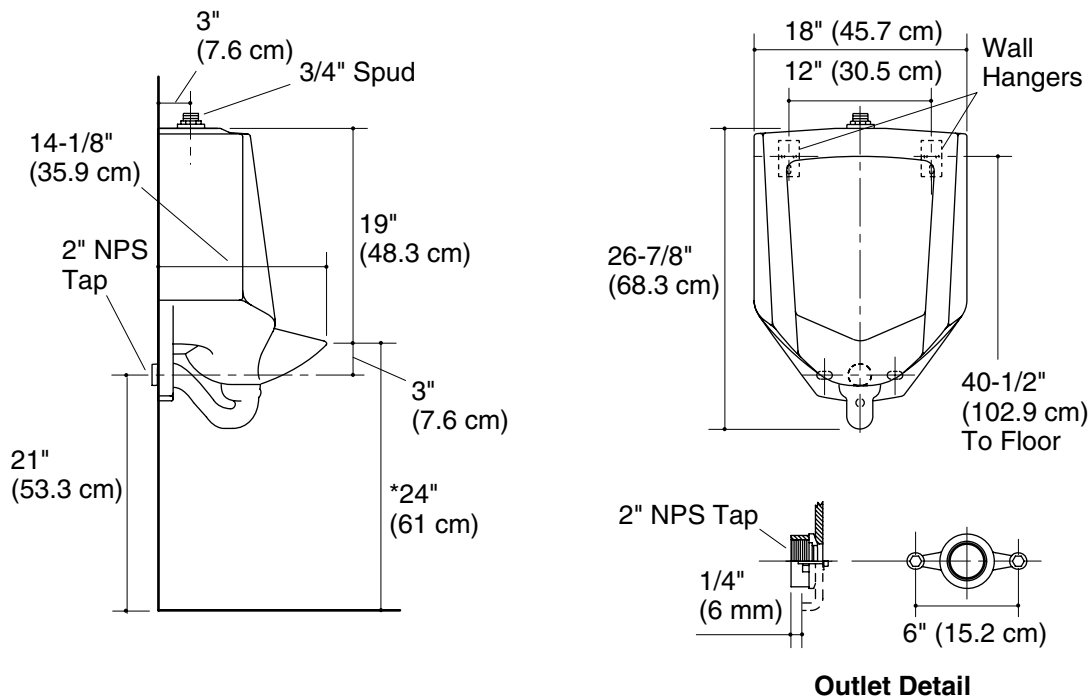
Installation Notes

Install this product according to the installation guide.

Refer to manufacturer's instructions and local codes for flush valve requirements.

Will comply with **ADA** when installed per Section 605 Urinals of the Act.

*Urinal complies with ADA requirements when rim is mounted no higher than 17" (43.2 cm) from finished floor.



Product Diagram