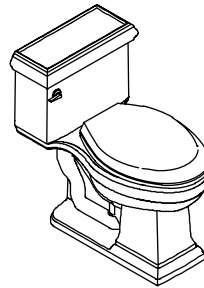


MEMOIRS COMFORT HEIGHT™

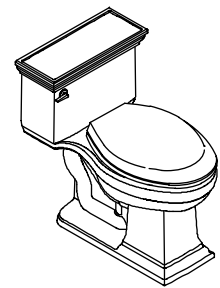
Features

- 12" (30.5 cm) rough-in
- Vitreous china
- Elongated bowl
- One-piece
- Comfort Height
- 1.6 gpf (6 lpf)
- 2" (5 cm) glazed trapway
- Includes seat and cover
- Includes polished chrome trip lever
- Less supply
- EPDM flapper
- Ingenium™ flushing system
- 11" (27.9 cm) x 9-1/4" (23.5 cm) water area
- 16-1/8" (41 cm) high bowl with seat is ADA compliant

TOILETS
K-3451
ALSO K-3453



K-3451
Classic Design



K-3453
Stately Design

Codes/Standards Applicable

Specified model meets or exceeds the following:

- ADA
- ASME A112.19.2
- ASME A112.19.6
- Energy Policy Act of 1992 (EPACT)
- IAPMO/UPC
- CSA B45

Colors/Finishes

- 0: White
- Other: Refer to Price Book for additional colors/finishes

Accessories:

- CP: Polished Chrome
- PB: Polished Brass
- Other: Refer to Price Book for additional colors/finishes

Specified Model

Model	Description	Colors/Finishes	
K-3451	Elongated bowl toilet, classic design	<input type="checkbox"/> 0 White	<input type="checkbox"/> Other_____
K-3453	Elongated bowl toilet, stately design	<input type="checkbox"/> 0 White	<input type="checkbox"/> Other_____
Recommended Accessories			
K-7637	Angle supply with stop	<input type="checkbox"/> CP	<input type="checkbox"/> PB <input type="checkbox"/> Other_____
Optional Accessories			
K-9439	Trip lever (non-CP)	<input type="checkbox"/> PB	<input type="checkbox"/> Other_____

Product Specification:

The elongated 1-piece compact toilet shall be 12" (30.5 cm) rough-in. Toilet shall be made of vitreous china. Toilet shall be at comfort height. Toilet shall be 1.6 gpf (6 lpf) with Ingenium™ flushing system. Toilet shall have 2" (5 cm) glazed trapway. Toilet shall have 11" (27.9 cm) x 9-1/4" (23.5 cm) water area. Toilet shall include seat and cover. Toilet shall include polished chrome trip lever. Toilet shall be ADA compliant with 16-1/8" (41 cm) high bowl with seat. Toilet shall be with classic design (K-3451), or stately design (K-3453). Toilet shall be less supply. Toilet shall have EPDM flapper. Toilet shall be Kohler Model K-_____.

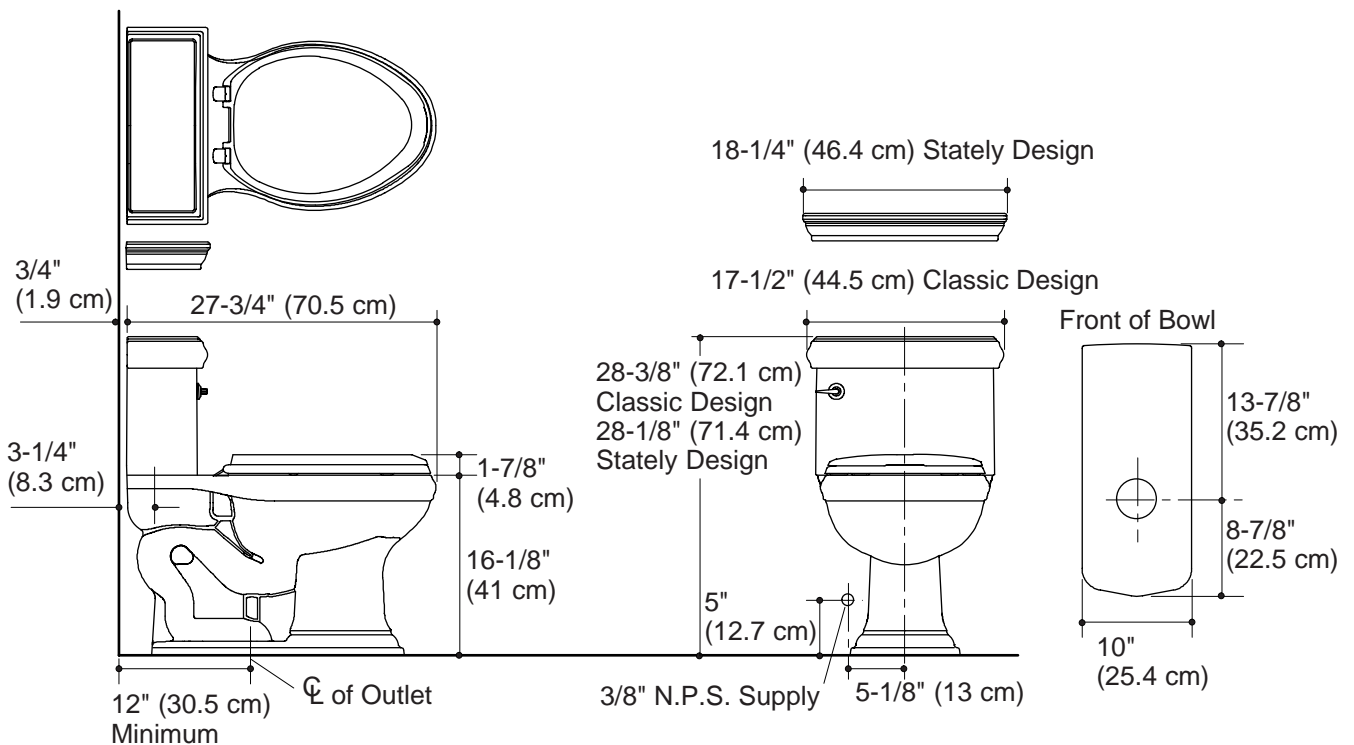
MEMOIRS COMFORT HEIGHT™

Technical Information

ADA compliant:	
Fixture:	
Configuration	1-piece, compact elongated
Water per flush	1.6 gallons (6 L)
Passageway	2" (5 cm)
Water area	11" (27.9 cm) x 9-1/4" (23.5 cm)
Water depth from rim	6" (15.2 cm)
Seat post hole centers	5-1/2" (14 cm)
Included components:	
Seat	K-4684
Tank cover, classic design	88871
Tank cover, stately design	88872
Trip lever	K-9439
Bolt cap accessory pack	52048
Tank accessory pack	52265

Installation Notes

Install this product according to the installation guide.



Product Diagram