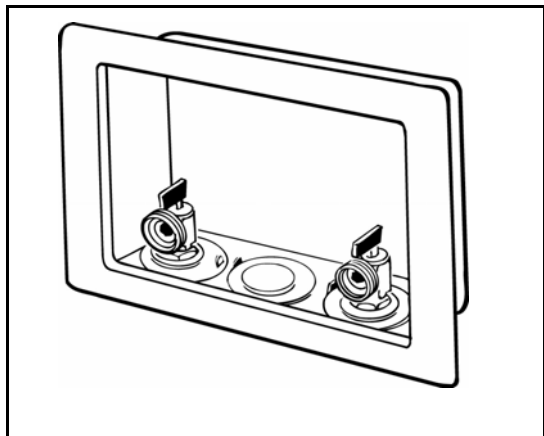


Specialty Products™



PLASTIC UNIVERSAL WASHING MACHINE OUTLET BOX Specification Sheet

COMPLIANCES/LISTINGS

- IAPMO File #0901
- Valve also meets or exceeds:
 - ASME A112.18.1 Standard
 - NSF Standard 61

OPTIONAL

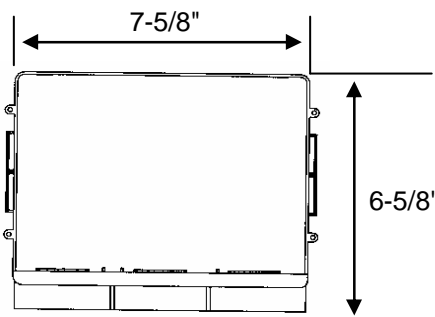
- Deep faceplates available, accommodates up to 1" wall thickness
- Replacement faceplates available:
 - White - Part No. OB-901
 - Beige - Part No. OB-900

SPECIFICATION

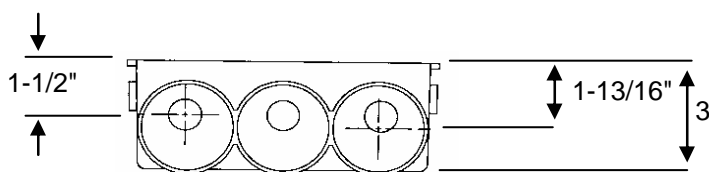
Furnish and install high-impact plastic Washing Machine Outlet Box with brass valves as manufactured by LSP Products Group/Specialty Products.

DESIGN FEATURES

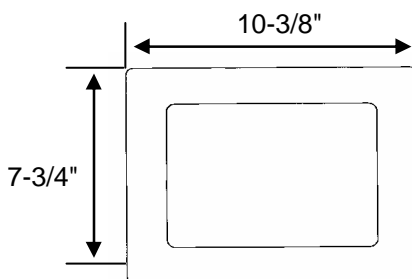
- Patented box design provides left, center and right waste options.
- Box knockouts accept either waste or water lines.
- Built-in test cap in box.
- Adjustable faceplate accommodates up to 5/8" wall thickness.
- EZ-Turn Quarter-Turn Ball Valves made of durable brass resists cracking and corrosion and allows fingertip control of water flow.
- Simplex Valve consolidates hot and cold water connections into one lever-controlled unit.
- EZ-Turn valves have long-lasting o-rings and tough Teflon seats.
- Slim-line box profile allows for 1" backing.



Front View



Bottom View



Face Plate

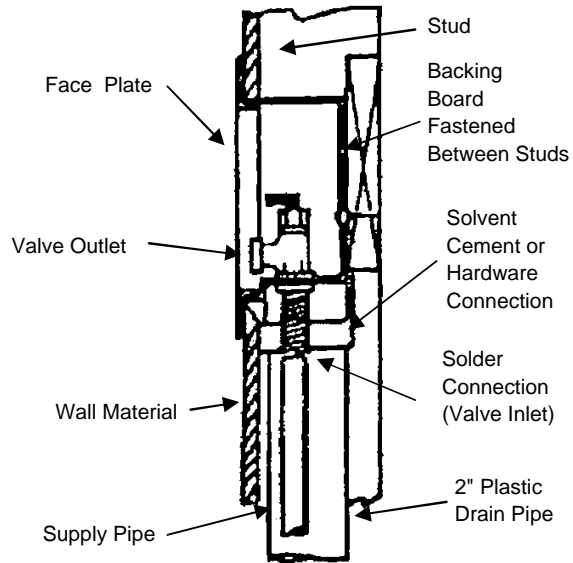


3689 Arrowhead Drive, Carson City, NV 89706
 Phone (800) 854-3215 Fax (800) 243-1777
 E-mail sales@lspproducts.com Website www.lspproducts.com

Product Submittal	
Job Name	
Date	
Part Number	Quantity
Architect	
Contractor	

Part No	Color	Description
WITH PEX VALVES		
<i>UNASSEMBLED</i>		
OB-321	White	Unassembled
<i>ASSEMBLED</i>		
OB-323	White	Center Outlet
OB-323-T	White	Center Outlet Tract Pack
OB-325	White	Left Outlet
OB-327	White	Right Outlet
WITH CPVC VALVES		
<i>UNASSEMBLED</i>		
OB-350	Beige	Unassembled
OB-351	White	Unassembled
OB-351-T	White	Unassembled/Tract Pack
<i>ASSEMBLED</i>		
OB-353	White	Center Outlet
OB-353-T	White	Center Outlet/Tract Pack
OB-355	White	Left Outlet
OB-357	White	Right Outlet
WITH MIP VALVES		
<i>ASSEMBLED</i>		
OB-200	Beige	Center Outlet
OB-200-T	Beige	Center Outlet/Tract Pack
OB-201	White	Center Outlet
OB-201-T	White	Center Outlet/Tract Pack
OB-201-TOP	White	Center Outlet
OB-202	Beige	Left Outlet
OB-202-T	Beige	Left Outlet/Tract Pack
OB-203	White	Left Outlet
OB-203-T	White	Left Outlet/Tract Pack
OB-205	White	Right Outlet
WITH SIMPLEX VALVES		
<i>UNASSEMBLED</i>		
OB-400	Beige	Unassembled
OB-401	White	Unassembled
<i>ASSEMBLED</i>		
OB-403	White	Left Outlet
OB-402	Beige	Left Outlet
OB-404	Beige	Right Outlet
OB-404-T	Beige	Right Outlet/Tract Pack
OB-405	White	Right Outlet
P-06290		Single Lever Valve With Rough Brass Finish
REHAU		
OB-371	White	Unassembled
OB-373	White	Center Outlet
OB-373-T	White	Center Outlet/Tract Pack
OB-375	White	Left Outlet
OB-377	White	Right Outlet
KITEC		
<i>ASSEMBLED</i>		
OB-600	White	Center Outlet
OB-600-T	White	Center Outlet/Tract Pack
WIRSBO		
OB-331	White	Unassembled
OB-331-T	White	Unassembled/Tract Pack
OB-333	White	Center Outlet
OB-337	White	Right Outlet
OB-338	White	Center Outlet

NEW: Thinner Design Allows The Use Of Backing



Side View Installation INSTALLATION INSTRUCTIONS

1. Position box between studs to desired height.
2. Secure box to a backing board with screws or nail bracket(s) on box to front of stud(s). In both cases the front edge of the box should be flush with wall material.
3. Cut or punch opening in bottom box if necessary for 2" plastic drain pipe Solvent cement pipe to bottom of box.
4. When installing valves follow your local codes.
5. Install face plate by pushing plate into box until plate is flush against the wall material.

LSP
PRODUCTSGROUP

3689 Arrowhead Drive, Carson City, NV 89706
Phone (800) 854-3215 Fax (800) 243-1777

E-mail sales@lspproducts.com Website www.lspproducts.com
Content matter is subject to change at any time. It is the user responsibility to ensure the most updated revisions are obtained.