

# Submittal Sheet

LASCO BATHWARE | AQUATIC



1363BFSC

- ADA compliant [pictured]  
 ANSI compliant [requires additional 18" vertical grab bar]



DATE: \_\_\_\_\_ AQUATIC PLANT: \_\_\_\_\_  
 CUSTOMER: \_\_\_\_\_ JOB NAME: \_\_\_\_\_  
 PO #: \_\_\_\_\_ SHIP TO: \_\_\_\_\_  
 QUOTE #: \_\_\_\_\_ QUANTITY: \_\_\_\_\_

PLUMBING CONTRACTOR APPROVAL \_\_\_\_\_ DATE \_\_\_\_\_ GENERAL CONTRACTOR APPROVAL \_\_\_\_\_ DATE \_\_\_\_\_  
 ENGINEER APPROVAL \_\_\_\_\_ DATE \_\_\_\_\_ ARCHITECT APPROVAL \_\_\_\_\_ DATE \_\_\_\_\_

To complete your order, this document must be signed and faxed to the Aquatic Centralized Customer Service Center.  
**Fax (866) 544-5353 • Phone (800) 945-2726**

<b>1363BFSC</b>	
Int. Dim.	36"W x 36"D x 75"H (915 x 915 x 1905)mm
Ext. Dim.	38"W x 38 1/4"D x 77"H (965 x 970 x 1955)mm
Skirt Ht.	3/4" (20mm) skirt, NO interior threshold
Weight	171.5 lbs. (77 kg.) gross
Material	<b>Gelcoat</b>
Warranty	Gelcoat Finished Products — Three Years

**STANDARD FEATURES**

- ADA compliant when fully equipped and installed according to guidelines [pictured]
- ANSI compliant when fully equipped and installed according to guidelines [requires additional 18" vertical grab bar]
- Barrier-free design
- Center drain location
- Slip resistant, textured bottom [ASTM F-462]

**RECOMMENDED ACCESSORIES**

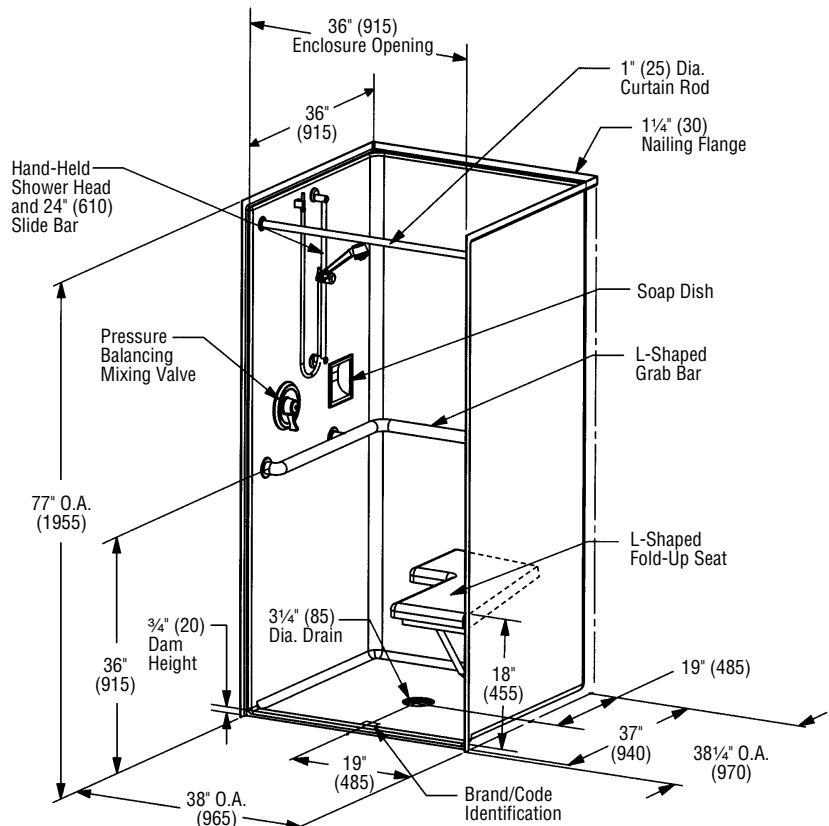
- Fixture Wall:  Left  Right
- Horizontal L-shaped grab bar [1 1/2" dia. (40mm)];  
 Fixture wall 31 1/2" (800mm), Back wall 18" (455mm)
- Stainless Steel  Powder-Coated White
- Vertical 18" grab bar
- L-shaped fold-up cushioned seat [opposite fixture wall]
- Hand-held shower
- 24" (610mm) slide bar, vacuum breaker and 60" (1525mm) hose
- Pressure balancing mixing valve
- Soap dish
- Curtain rod  Shower curtain
- Vinyl flexible dam
- Removable threshold
- Standard Colors:  White  Bone  
 Almond  Other \_\_\_\_\_
- Brass drain
- Additional accessories \_\_\_\_\_

For pricing of units and additional options, reference the Aquatic Price Book.

Please indicate custom changes on reverse side drawings.

**WARNING: Due to government regulations regarding ADA compliance, all ADA compliant shower units with NO inside curb and a 3/4" or 1" skirt, will have water escape onto bathroom floor. Aquatic highly recommends you take the following precautions:**

1. Install only the minimum number of ADA units without an interior curb and a 3/4" or 1" skirt required for each job. If possible, install Aquatic's barrier-free models that have a 1 3/4" or 2" high skirt, which have a 1/2" interior curb, reducing the amount of water that escapes from the shower.
2. When installing units with NO interior curb install a **FLOOR DRAIN** to control the water that escapes onto the bathroom floor.
3. Depending on your application, you may choose to install Aquatic's vinyl flexible dam or removable threshold, which helps better retain water within the shower. However, these items may not necessarily meet ADA or other code requirements. Please check with your Local Building Authority for final approval.



**NOTE: ADA configuration shown. ANSI configuration requires additional 18" vertical grab bar. Contact customer service for ANSI drawing.**

# Submittal Sheet

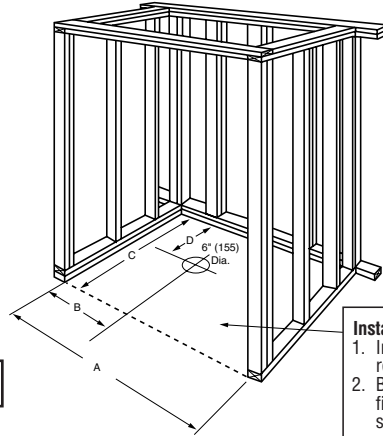
LASCO BATHWARE | A-QUATIC



1363BFSC

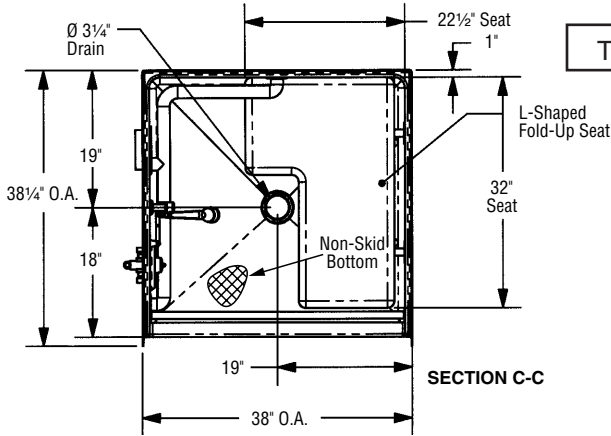
## FRAMING DIMENSIONS

Dim. A	38 1/8" (970mm)
Dim. B	19" (480mm)
Dim. C	38 1/4" (970mm)
Dim. D	19" (480mm)



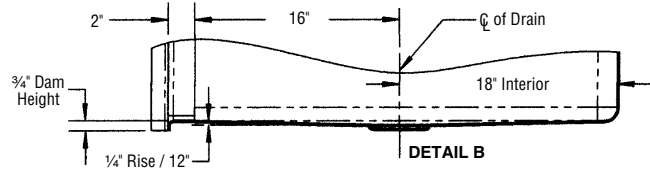
- Installation Options:**
1. Install in a recessed pit for rough-in floor installation.
  2. Build sub-floor to level finished floor with top of shower threshold.

Please indicate changes needed.

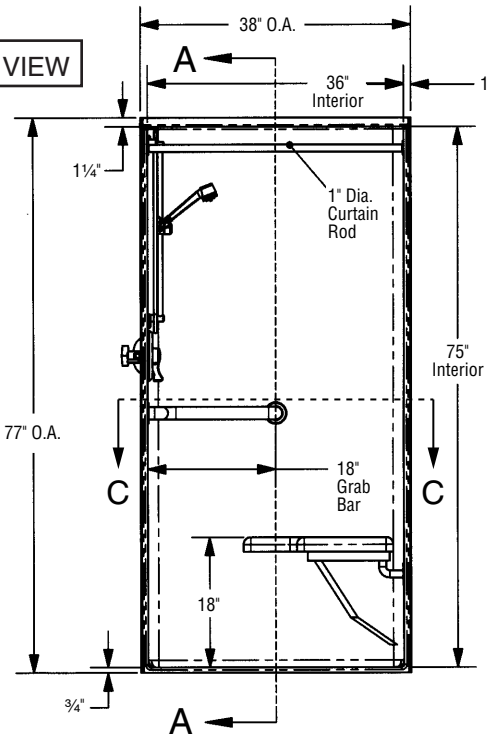


TOP VIEW

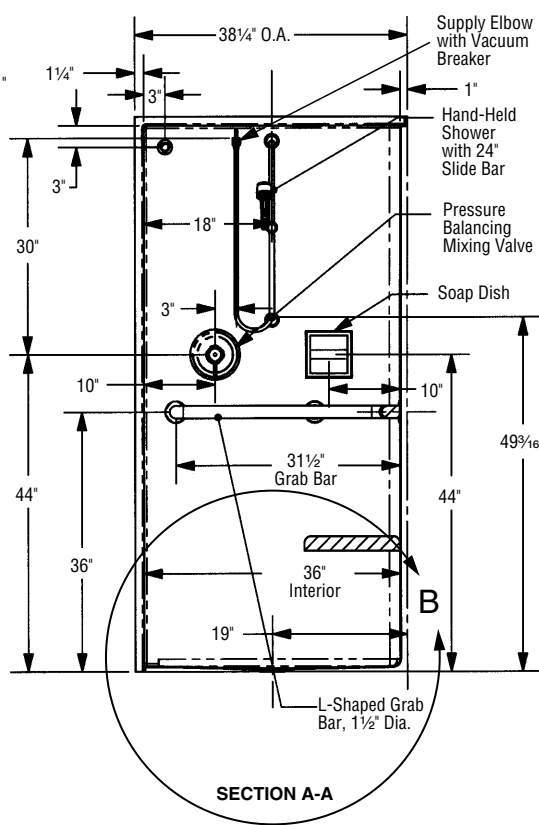
SECTION VIEW



FRONT VIEW



SIDE VIEW



Shell tolerance: +0, -3/8"  
All other tolerances: ±1"

FAX TO THE AQUATIC CENTRALIZED CUSTOMER SERVICE CENTER  
(866) 544-5353