

# Submittal Sheet

LASCO BATHWARE | AQUATIC



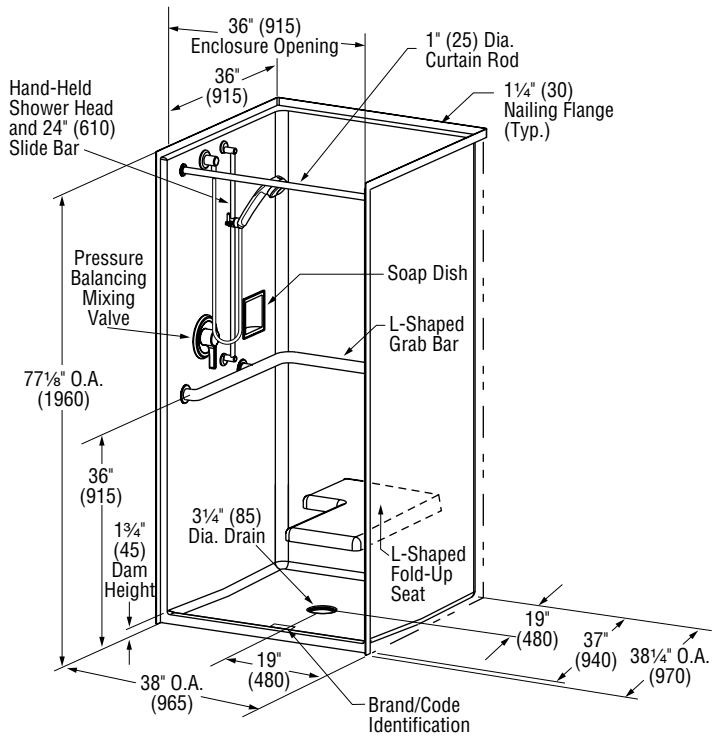
1363BFS  ADA compliant [pictured]  
 ANSI compliant [requires additional 18" vertical grab bar]

DATE: \_\_\_\_\_ AQUATIC PLANT: \_\_\_\_\_  
 CUSTOMER: \_\_\_\_\_ JOB NAME: \_\_\_\_\_  
 PO #: \_\_\_\_\_ SHIP TO: \_\_\_\_\_  
 QUOTE #: \_\_\_\_\_ QUANTITY: \_\_\_\_\_

PLUMBING CONTRACTOR APPROVAL \_\_\_\_\_ /\_\_\_\_\_/\_\_\_\_\_  
 DATE  
 GENERAL CONTRACTOR APPROVAL \_\_\_\_\_ /\_\_\_\_\_/\_\_\_\_\_  
 DATE  
 ENGINEER APPROVAL \_\_\_\_\_ /\_\_\_\_\_/\_\_\_\_\_  
 DATE  
 ARCHITECT APPROVAL \_\_\_\_\_ /\_\_\_\_\_/\_\_\_\_\_  
 DATE

To complete your order, this document must be signed and faxed to the Aquatic Centralized Customer Service Center.  
**Fax (866) 544-5353 • Phone (800) 945-2726**

1363BFS	
Int. Dim.	36"W x 36"D x 74 $\frac{1}{8}$ "H (915 x 915 x 1885)mm
Ext. Dim.	38"W x 38 $\frac{1}{4}$ "D x 77 $\frac{1}{8}$ "H (965 x 970 x 1960)mm
Skirt Ht.	1 $\frac{3}{4}$ " (45mm) skirt, $\frac{1}{2}$ " (15mm) interior threshold
Weight	171.5 lbs. (77 kg.) gross
Material	<b>Gelcoat</b>
Warranty	Gelcoat Finished Products — Three Years



**STANDARD FEATURES**

- ADA compliant when fully equipped and installed according to guidelines [pictured]
- ANSI compliant when fully equipped and installed according to guidelines [requires additional 18" vertical grab bar]
- Barrier-free design
- Center drain location
- Slip resistant, textured bottom [ASTM F-462]

**RECOMMENDED ACCESSORIES**

- Fixture Wall:  Left  Right
- Horizontal L-shaped grab bar [1 $\frac{1}{2}$ " dia. (40mm)]:  
 Fixture wall 31 $\frac{1}{2}$ " (800mm), Back wall 18" (455mm)  
 Stainless Steel  Powder-Coated White
- Vertical 18" grab bar
- L-shaped fold-up seat [opposite fixture wall]
- Hand-held shower
- 24" (610mm) slide bar, vacuum breaker and 60" (1525mm) hose
- Pressure balancing mixing valve
- Soap dish
- Curtain rod  Shower curtain
- Standard Colors:  White  Bone  
 Almond  Other \_\_\_\_\_
- Brass drain
- Additional accessories \_\_\_\_\_

For pricing of units and additional options, reference the Aquatic Price Book.

**NOTE: ADA configuration shown. ANSI configuration requires additional 18" vertical grab bar. Contact customer service for ANSI drawing.**

Please indicate custom changes on reverse side drawings.

# Submittal Sheet

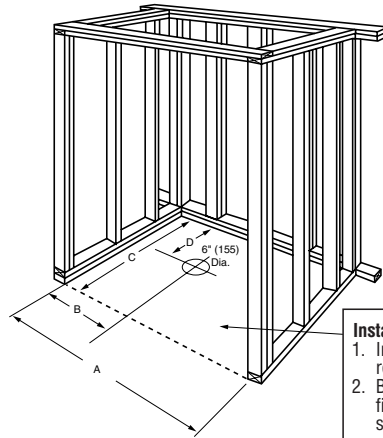
LASCO BATHWARE | A-QUATIC



1363BFS

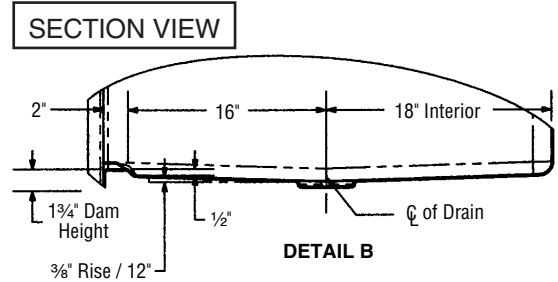
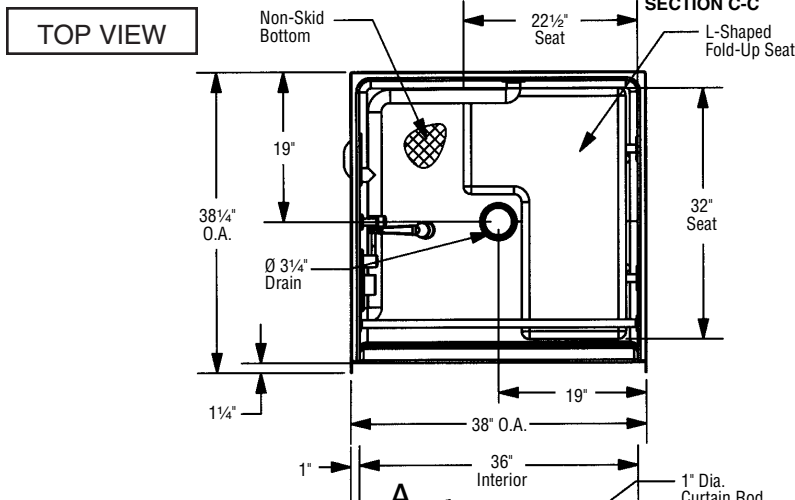
## FRAMING DIMENSIONS

Dim. A	38 $\frac{1}{8}$ " (970mm)
Dim. B	19" (480mm)
Dim. C	38 $\frac{1}{4}$ " (970mm)
Dim. D	19" (480mm)

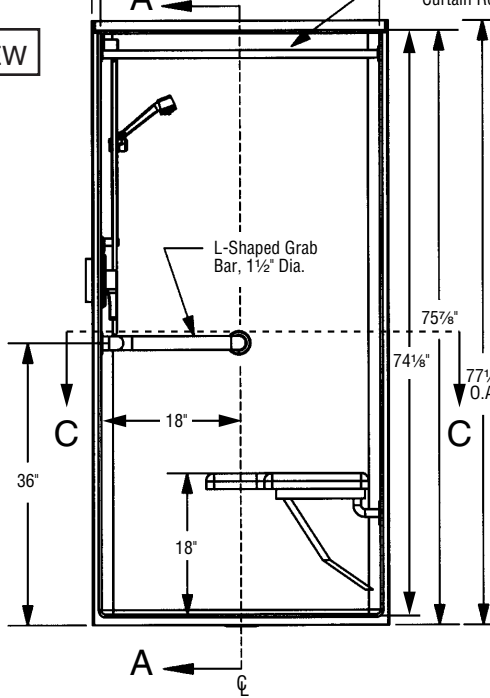


- Installation Options:**
1. Install in a recessed pit for rough-in floor installation.
  2. Build sub-floor to level finished floor with top of shower threshold.

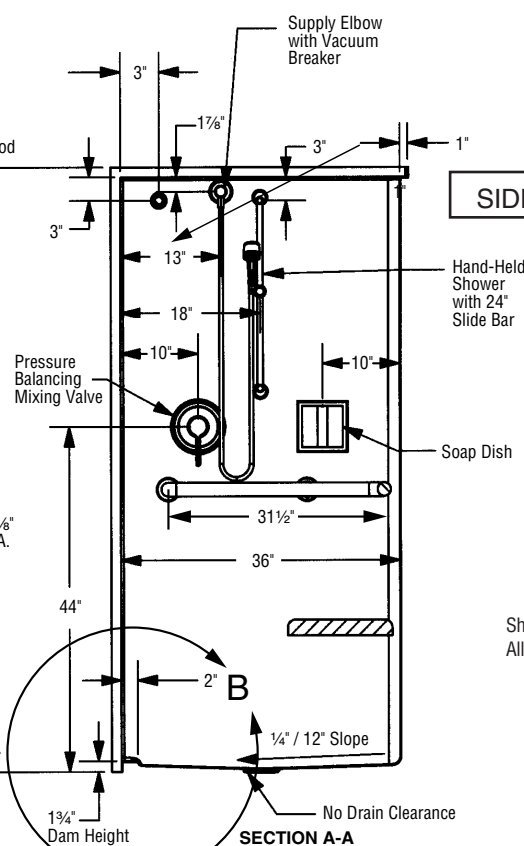
Please indicate changes needed.



FRONT VIEW



SIDE VIEW



Shell tolerance: +0, -3/8"  
All other tolerances: ±1"

FAX TO THE AQUATIC CENTRALIZED CUSTOMER SERVICE CENTER  
(866) 544-5353