

Submittal Sheet



1603-BFSD with Seat and L-Shaped Grab Bar



DATE: _____ LASCO PLANT: _____
 CUSTOMER: _____ JOB NAME: _____
 PO #: _____ SHIP TO: _____
 QUOTE #: _____ QUANTITY: _____

PLUMBING CONTRACTOR APPROVAL _____ /_____/_____
 DATE _____ GENERAL CONTRACTOR APPROVAL _____ /_____/_____
 DATE _____ ENGINEER APPROVAL _____ /_____/_____
 DATE _____ ARCHITECT APPROVAL _____ /_____/_____
 DATE _____

**To complete your order, this document must be signed and faxed to the LASCO Bathware Centralized Customer Service Center.
 Fax (866) 544-5353 • Phone (800) 94 LASCO**

1603-BFSD	
Int. Dim.	60"W x 34"D x 74 ⁷ / ₈ "H (1525 x 865 x 1900)mm
Ext. Dim.	62"W x 36 ¹ / ₄ "D x 76 ⁷ / ₈ "H (1575 x 920 x 1955)mm
Skirt Ht.	¾" (20mm) skirt, ½" (15mm) interior threshold
Weight	201.5 lbs. (91 kg.) gross
Material	LASCOAT (Gelcoat)
Warranty	LASCOAT Finished Products — Three Years
Code Listed	ADA/ANSI

WARNING: Due to government regulations regarding ADA compliance, all ADA compliant shower units with NO inside curb and a ¾" or 1" skirt, will have water escape onto bathroom floor. LASCO highly recommends you take the following precautions:

1. Install only the minimum number of ADA units without an interior curb and a ¾" or 1" skirt required for each job. If possible, install LASCO's barrier-free models that have a 1½" or 2" high skirt, which have a ½" interior curb, reducing the amount of water that escapes from the shower.
2. When installing units with NO interior curb install a FLOOR DRAIN to control the water that escapes onto the bathroom floor.
3. Depending on your application, you may choose to install LASCO's vinyl flexible dam or removable threshold, which helps better retain water within the shower. However, these items may not necessarily meet ADA or other code requirements. Please check with your Local Building Authority for final approval.

STANDARD FEATURES

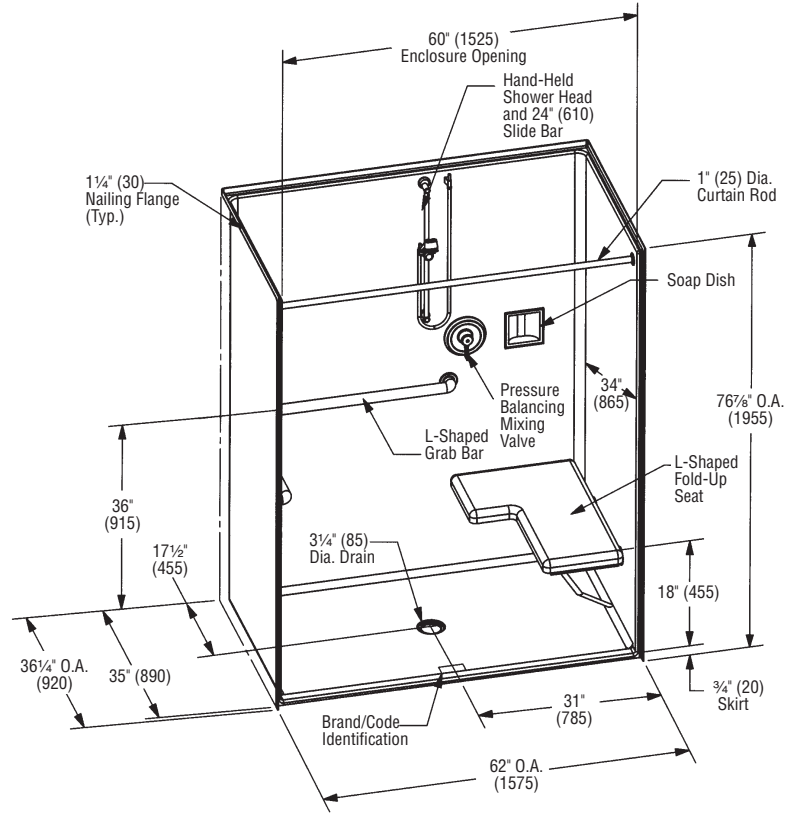
- ADA/ANSI compliant [when fully equipped]
- Barrier-free design
- Back fixture wall
- Center/center drain location
- Slip resistant, textured bottom [ASTM F-462]

RECOMMENDED ACCESSORIES

- Grab bars [1½" dia. (40mm)]:
 Adjacent seat: Horizontal L-shaped
 30" x 37¼" (760 x 945)mm
 - Stainless Steel Powder-Coated White
- L-shaped fold-up cushioned seat LH RH [adjacent fixture wall]
- Hand-held shower
- 24" (610mm) slide bar, vacuum breaker and 60" (1525mm) hose
- Pressure balancing mixing valve
- Soap dish
- Curtain rod Shower curtain
- Vinyl flexible dam
- Removable threshold
- Standard Colors: White Bone Almond Other _____
- Brass drain
- Additional accessories _____

For pricing of units and additional options, reference The Complete Works Price Book.

Please indicate custom changes on reverse side drawings.



PLEASE REFERENCE PAGE – i – FOR CODES AND PRODUCT SPECIFICATIONS

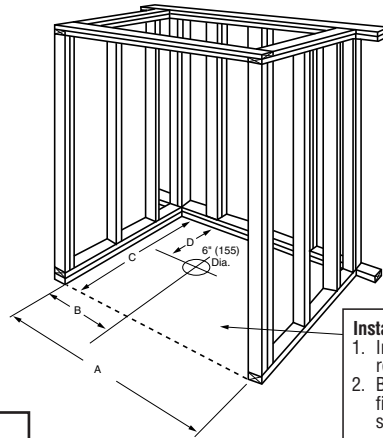
Submittal Sheet



1603-BFSD with Seat and L-Shaped Grab Bar

FRAMING DIMENSIONS

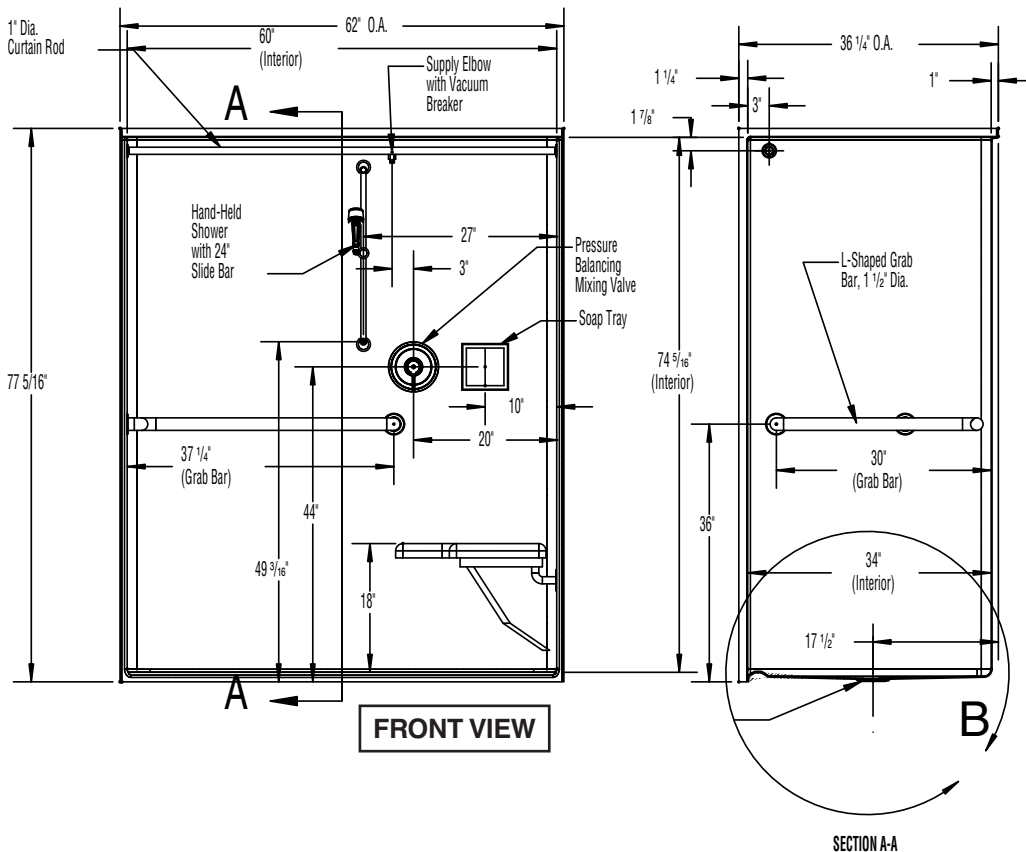
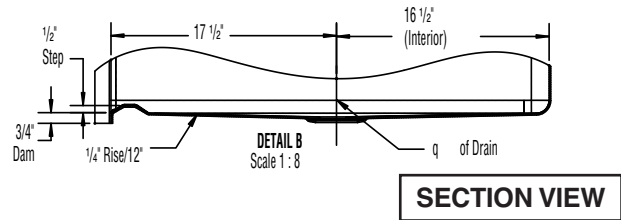
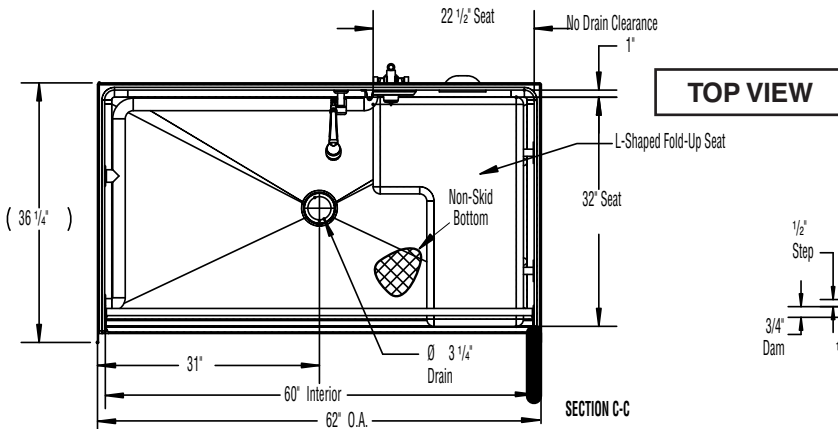
Dim. A	62 1/8" (1580mm)
Dim. B	31" (790mm)
Dim. C	36 1/4" (920mm)
Dim. D	17 1/2" (445mm)



Installation Options:

1. Install in a recessed pit for rough-in floor installation.
2. Build sub-floor to level finished floor with top of shower threshold.

Please indicate changes needed.



SIDE VIEW

Shell tolerance: +0, -3/8"
All other tolerances: ±1"

*Cal-Title 24 compliant when grab bar is mounted at 33" and valve at 40"

FAX TO THE LASCO BATHWARE CENTRALIZED CUSTOMER SERVICE CENTER
(866) 544-5353

Submittal Sheet



1603-BFSD No Seat and U-Shaped Grab Bar



DATE: _____ LASCO PLANT: _____
 CUSTOMER: _____ JOB NAME: _____
 PO #: _____ SHIP TO: _____
 QUOTE #: _____ QUANTITY: _____

PLUMBING CONTRACTOR APPROVAL _____ /_____/_____
 DATE _____ GENERAL CONTRACTOR APPROVAL _____ /_____/_____
 DATE _____ ENGINEER APPROVAL _____ /_____/_____
 DATE _____ ARCHITECT APPROVAL _____ /_____/_____
 DATE _____

**To complete your order, this document must be signed and faxed to the LASCO Bathware Centralized Customer Service Center.
 Fax (866) 544-5353 • Phone (800) 94 LASCO**

1603-BFSD	
Int. Dim.	60"W x 34"D x 74 ⁷ / ₈ "H (1525 x 865 x 1900)mm
Ext. Dim.	62"W x 36 ¹ / ₄ "D x 76 ⁷ / ₈ "H (1575 x 920 x 1955)mm
Skirt Ht.	¾" (20mm) skirt, ½" (15mm) interior threshold
Weight	201.5 lbs. (91 kg.) gross
Material	LASCOAT (Gelcoat)
Warranty	LASCOAT Finished Products — Three Years
Code Listed	ADA/ANSI

WARNING: Due to government regulations regarding ADA compliance, all ADA compliant shower units with NO inside curb and a ¾" or 1" skirt, will have water escape onto bathroom floor. LASCO highly recommends you take the following precautions:

1. Install only the minimum number of ADA units without an interior curb and a ¾" or 1" skirt required for each job. If possible, install LASCO's barrier-free models that have a 1½" or 2" high skirt, which have a ½" interior curb, reducing the amount of water that escapes from the shower.
2. When installing units with NO interior curb install a **FLOOR DRAIN** to control the water that escapes onto the bathroom floor.
3. Depending on your application, you may choose to install LASCO's vinyl flexible dam or removable threshold, which helps better retain water within the shower. However, these items may not necessarily meet ADA or other code requirements. Please check with your Local Building Authority for final approval.

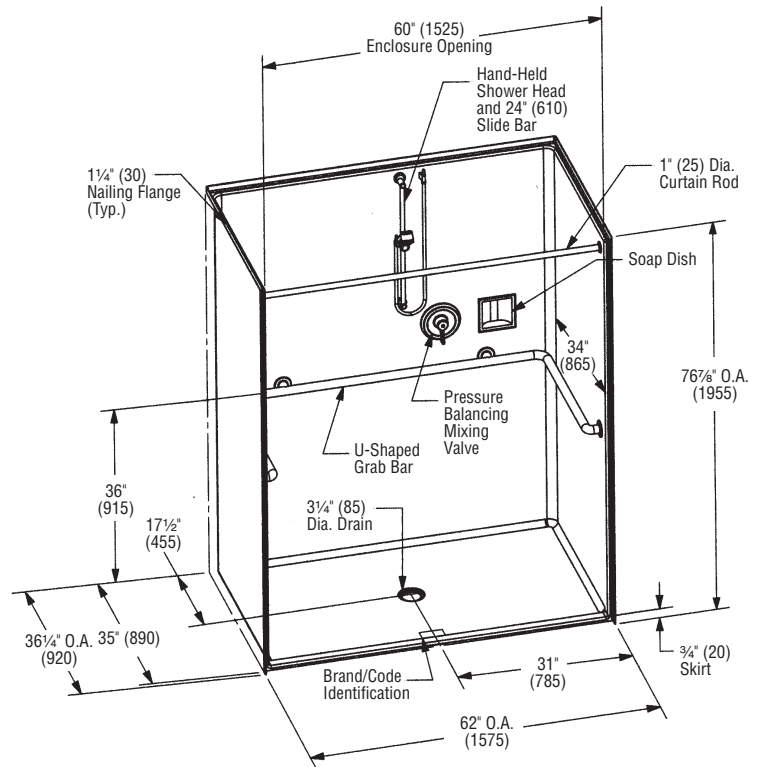
STANDARD FEATURES

- ADA/ANSI compliant [when fully equipped]
- Barrier-free design
- Center/center drain location
- Slip resistant, textured bottom [ASTM F-462]

RECOMMENDED ACCESSORIES

- Fixture wall: Left Right Back
- Grab bars [1½" dia. (40mm)]:
 No seat: U-shaped
 30" x 60" x 30" (760 x 1525 x 760)mm
 Stainless Steel Powder-Coated White
- Hand-held shower
- 24" (610mm) slide bar, vacuum breaker and 60" (1525mm) hose
- Pressure balancing mixing valve
- Soap dish
- Curtain rod Shower curtain
- Vinyl flexible dam
- Removable threshold
- Standard Colors: White Bone
 Almond Other _____
- Brass drain
- Additional accessories _____

For pricing of units and additional options, reference The Complete Works Price Book.



Please indicate custom changes on reverse side drawings.

PLEASE REFERENCE PAGE – i – FOR CODES AND PRODUCT SPECIFICATIONS

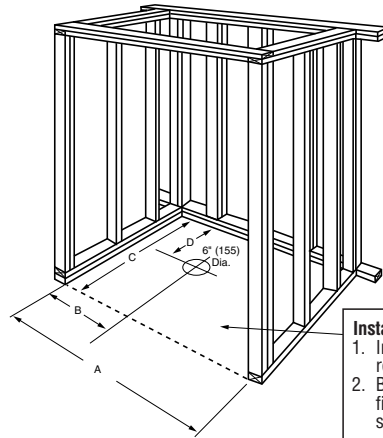
Submittal Sheet



1603-BFSD No Seat and U-Shaped Grab Bar

FRAMING DIMENSIONS

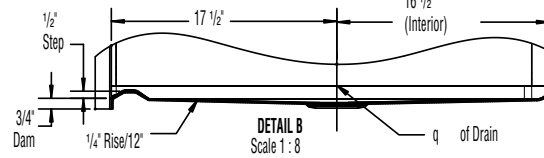
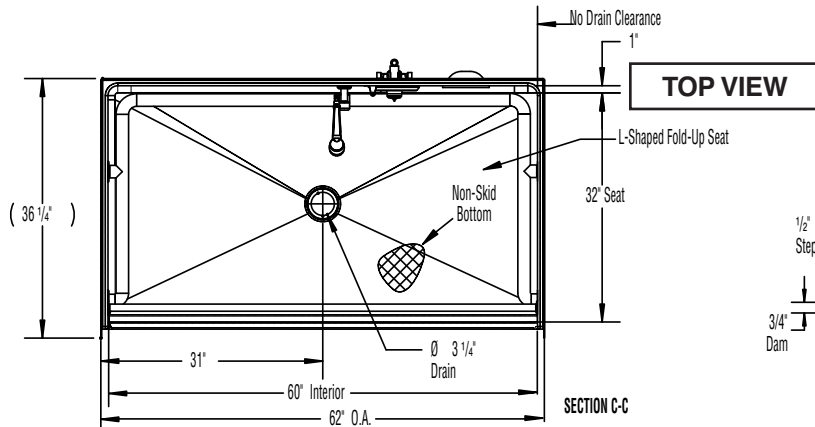
Dim. A	62 1/8" (1580mm)
Dim. B	31" (790mm)
Dim. C	36 1/4" (920mm)
Dim. D	17 1/2" (445mm)



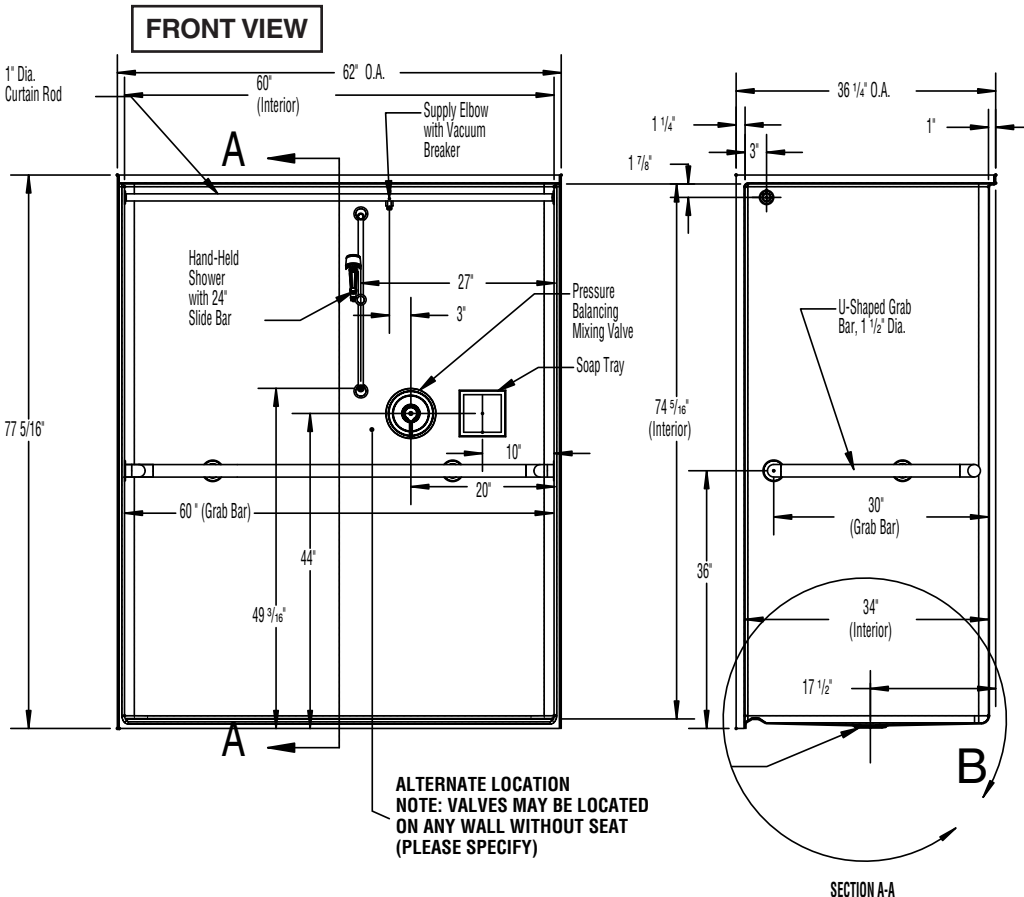
Installation Options:

1. Install in a recessed pit for rough-in floor installation.
2. Build sub-floor to level finished floor with top of shower threshold.

Please indicate changes needed.



SECTION VIEW



SIDE VIEW

ALTERNATE LOCATION
NOTE: VALVES MAY BE LOCATED
ON ANY WALL WITHOUT SEAT
(PLEASE SPECIFY)

*Cal-Title 24 compliant when
grab bar is mounted at 33"
and valve at 40"

FAX TO THE LASCO BATHWARE CENTRALIZED CUSTOMER SERVICE CENTER
(866) 544-5353