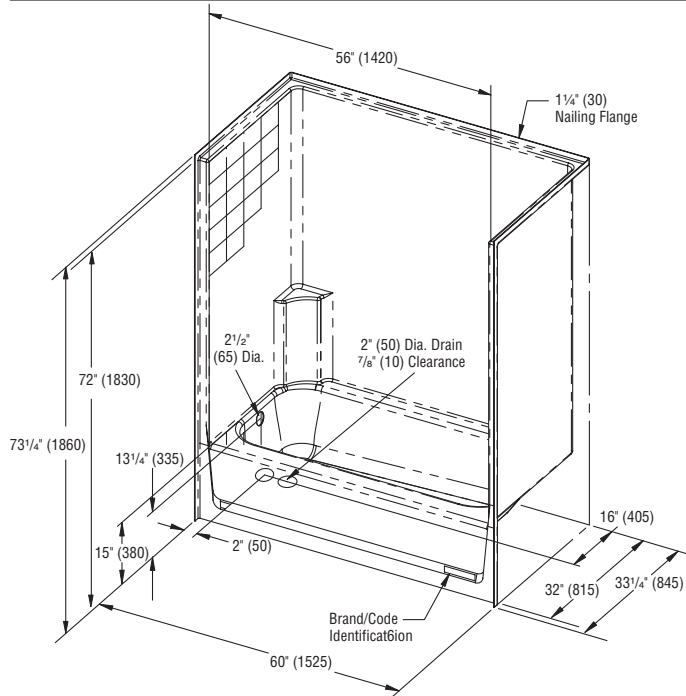


**2603CT**

60 x 32 x 72 (1525 x 815 x 1830)

Fax on Demand #1066



**FEATURES**

Dimensions: inches (mm)

Model #	Material	Product Type	Wall Finish	Pieces	Drain	Net Wt lbs (kg)	Pkg Wt lbs (kg)
2603CT	Gelcoat	Tub-shower	Smooth Tile	1	LH or RH	120 (54)	125 (57)

**OPTIONS**

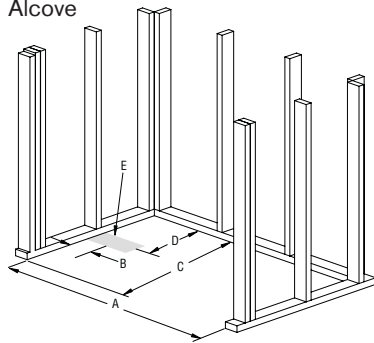
Model #	Color	Accessories
2603CT	Premium, Special	DWO, Grab Bar, Shower Door

**SUMP DATA**

Top of Drain to Bottom of Overflow	Capacity to Overflow gal (ltr)	WIDTH @ centerline		DEPTH @ centerline	
		Top	Bottom	Top	Bottom
10 1/2 (265)	46 (175)	53 9/16 (1360)	44 (1120)	22 7/16 (570)	20 1/4 (515)

**FRAMING DIMENSIONS**

Alcove



**LEGEND:**

- A = Overall Width
- B = Rough-in
- C = Overall Depth
- D = Rough Center

TYPE	A	B	C	D	E: BOX OUT
Alcove	60 1/8 (1525)	2 (50)	33 1/4 (845)	16 (405)	6 x 12 (150 x 305)