



**McGuire Manufacturing Co., Inc.**

60 Grandview Court  
 P.O. Box 746 ♣ Cheshire, CT 06410  
 203-699-1801 ♣ Fax: 203-699-1813  
 www.mcguiremfg.com

**PRODUCT SPECIFICATION**

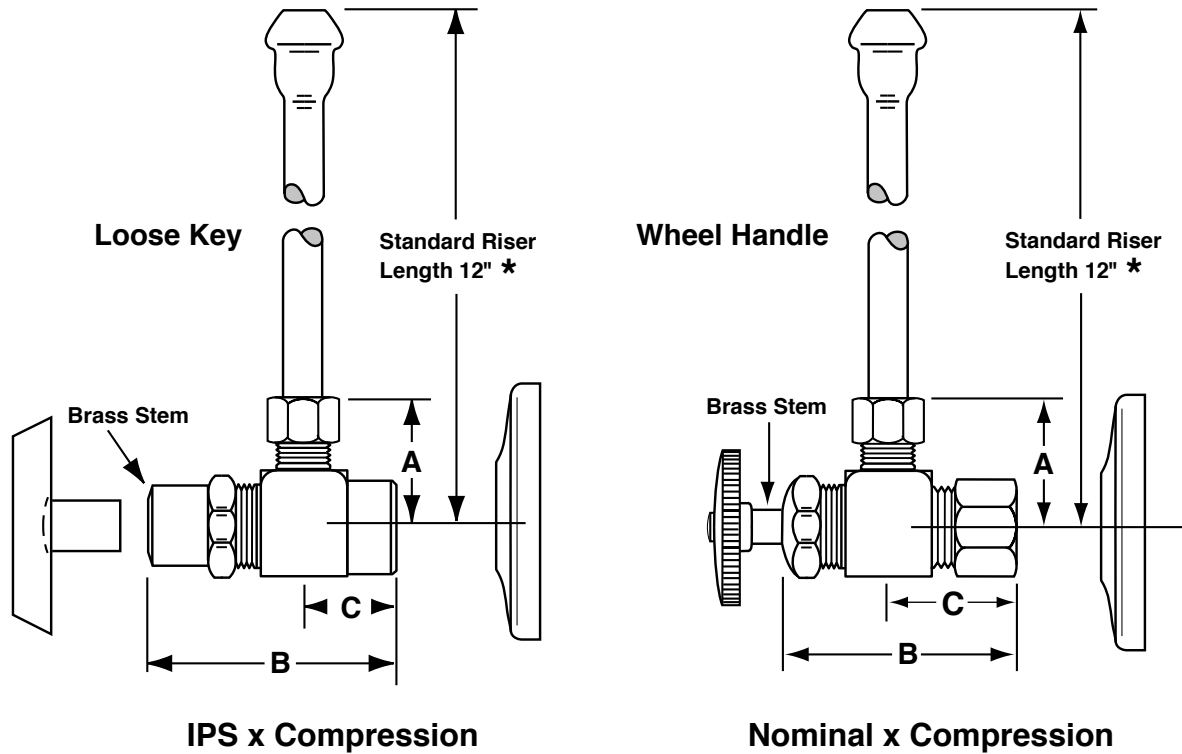
**Part No.**

**LFH2165, LFH2165LK,  
 LFH2167, LFH2167LK,  
 LFH2165CC, LFH2165CCLK**

**AB1953 Compliant  
 Heavy Lavatory Supply**

**Job Name:**

**Submittal Number:**



NO.	DESCRIPTION	ROUGHING MEASUREMENTS		
		A	B	C
LFH2165	1/2" IPS x 3/8" OD, Wheel Handle	1-3/8"	1-15/16"	1"
LFH2165LK	1/2" IPS x 3/8" OD, Loose Key	1-3/8"	2-5/8"	1"
LFH2167	1/2" IPS x 1/2" OD, Wheel Handle	1-3/8"	1-15/16"	1"
LFH2167LK	1/2" IPS x 1/2" OD, Loose Key	1-3/8"	2-5/8"	1"
LFH2165CC	1/2" Nominal x 3/8" OD, Wheel Handle	1-3/8"	2-1/4"	1-3/8"
LFH2165CCLK	1/2" Nominal x 3/8" OD, Loose Key	1-3/8"	2-15/16"	1-3/8"

LK designates *Loose Key*

\* See options and accessories section for details on product variations.



**Specifications:**

Supply kit shall include heavy pattern chrome plated AB1953 compliant supply stop valves with full turn brass stem, no plastic, (12, 15, 20) inch chrome plated risers and (shallow, deep, bell) (steel, brass) or (forged brass with set screw) flange. Inlet shall be 1/2 inch (IPS, compression). Outlet shall be (3/8, 1/2) inch compression. Supply kit shall be McGuire \_\_\_\_\_ . Supply shall be AB1953 certified by recognized authority and bear manufacturer and testing mark.