

FEATURES

- Half-Stall, Wall-Mount, Wash-Down Urinal with Extended Sides
- 1.0 Gpf / 3.8 Lpf or Less
- Integral Trap
- Includes 3/4" Top Spud, 2" Outlet Spud, Two Concealed Hangers and Bolts
- Available in White and Standard Colors (Consult Price Book for Specific Colors)
- Outstanding Protection – The Mansfield® Limited Lifetime Warranty
- Complies with ADA Requirements for Accessibility



Model 410
(Less Flush Valve)

Model No.	Description	Approx. Wt.
410	Vitreous china, half-stall, wash-down (1.0 Gpf/3.8 Lpf) urinal. Fitted with 3/4" top spud and 2" outlet spud including all gaskets, bolts and washers. Mounting bracket included. Less flushometer. Specify color.	60 lbs. (27 kg)



410

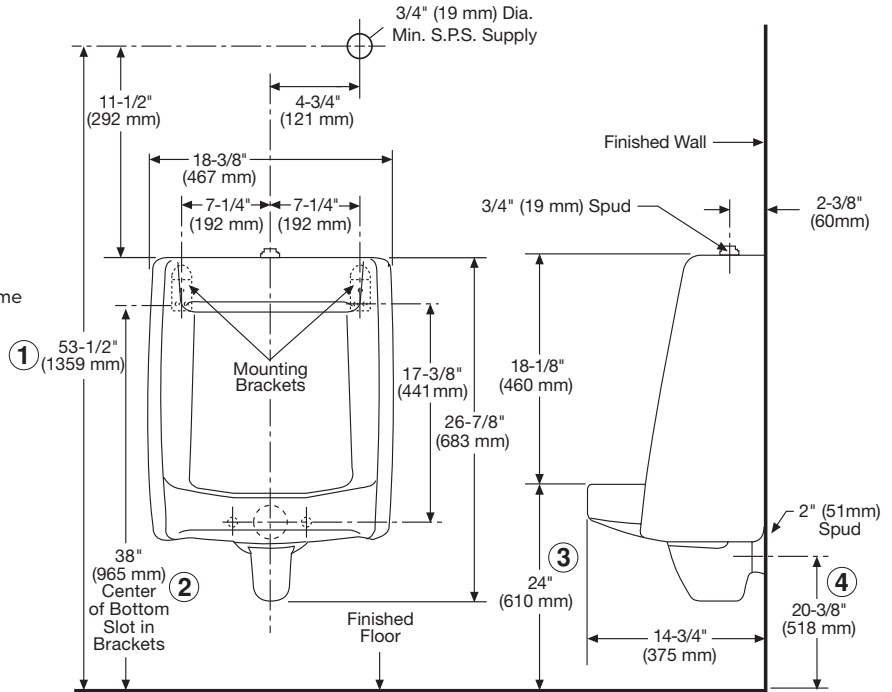
CASCADE™

Half-Stall, Wash-Down, Vitreous China Urinal

TECHNICAL INFORMATION

Specifications

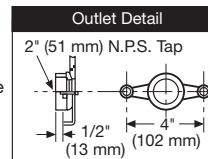
Material	Vitreous China
Size	18-3/8" x 26-7/8" (467 mm x 683 mm)
Water Usage	1.0 Gpf / 3.8 Lpf or Less
Inlet	3/4"
Outlet	2"
Shipping Dimensions	Model 410 28" x 15-1/8" x 20-3/4" (711 mm x 384 mm x 527 mm)
Shipping Weight	Model 410 – 57 lbs (26 kg)
Warranty	Vitreous China – Limited Lifetime



These dimensions are nominal and are subject to change without prior notice.

Fixture performance and specifications meet or exceed, ANSI/ASME A112.19.2 and CAN/CSA B45 standards, and other state and local codes.

NOTE: Outlet connection 2" female threads - protrude 1/2" past the urinal.



ADA Installation	
1	44" (1118 mm)
2	28-1/2" (724 mm)
3	14-1/2" (368 mm)
4	10-7/8" (276 mm)

NOTE: Install this product according to the installation guide.
Fixture dimensions are nominal and conform to tolerances in ASME Standard A112.19.2

See our complete line of acrylic and vitreous china bathroom and kitchen fixtures, plastic tank trim and plumbing products.



Mansfield Plumbing Products LLC • Customer Service Toll Free 877-850-3060 • Fax 419-938-6234
Website: www.mansfieldplumbing.com • Email: custserv@mansfieldplumbing.com

Form No. M410 Printed in U.S.A. 4/07
© 2007 Mansfield Plumbing Products LLC