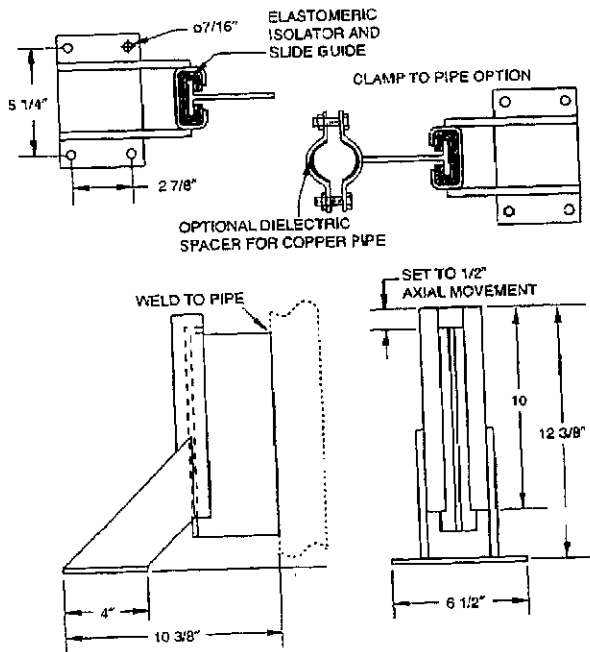


VIBRATION ISOLATING RISER GUIDE MODEL PGQ

Specifically designed for high rise building applications where mounting guides is difficult. The enhanced lateral stability of the PGQ allows fewer guides to be used and still meet the EJMA guide spacing recommendations. Sound isolating slide bearing with no metal to metal contact between riser pipes and building attachments. Self lubricating and maintenance free. Maximum temperature 250°F. Stock sizes up to 8 inch pipe with 0 to 10 inch axial movement.



QTY	ATTACHMENT	DIELECTRIC	NOTES
	WELD		
	CLAMP		

CUSTOMER _____
 PROJECT _____
 ENGINEER _____
 ARCHITECT _____
 PRO. OR P.O. NO _____

Metraflex.
for pipes in motion Chicago.

DESCRIPTION:
VIBRATION ISOLATING RISER GUIDE

DRAWN BY: **JRR** DATE: **1/05** DRAW: **1**

visit www.metraflex.com to download submittals for all guides and anchors