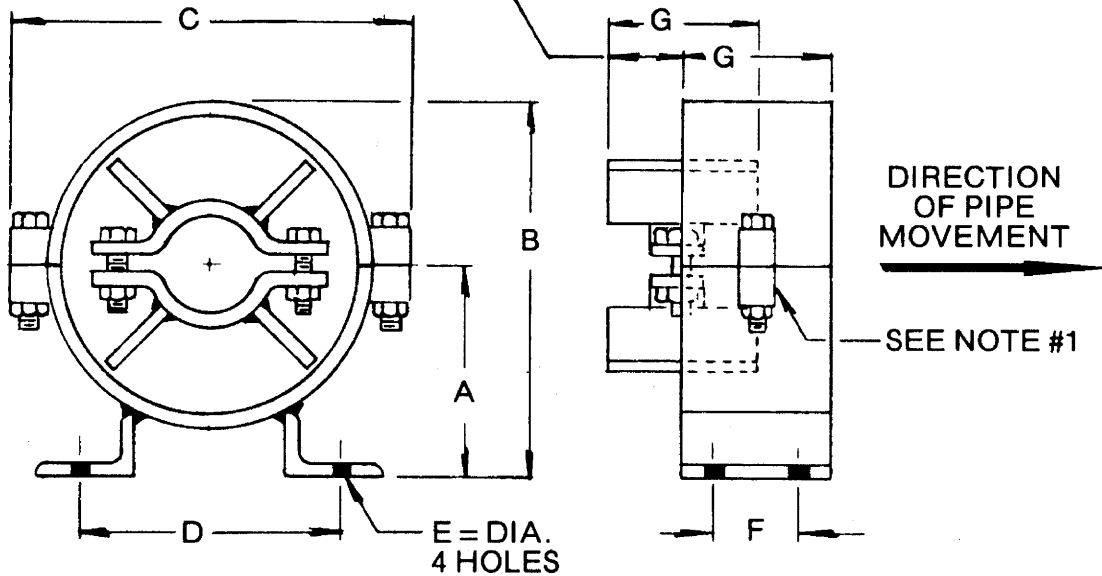


SET = TO 1/2 PIPE MOVEMENT



TOTAL QTY	PIPE SIZE	MODEL	A	B	C	D	E	F	G	MAX MOVE	Weight (LBS.)
		23	3-1/2"	5-7/8"	6-1/8"	4-1/8"	5/8"	1-3/4"	3"	4"	7
		24	4"	6-3/4"	7-1/8"	4-3/8"	5/8"	1-3/4"	3"	4"	8
		25	4-3/8"	7-5/8"	8-1/8"	5-1/8"	5/8"	1-3/4"	3"	4"	9
		26	5-1/4"	9-1/4"	10-1/8"	6-1/8"	5/8"	1-3/4"	3"	4"	11
		27	6-1/4"	11-5/8"	12-1/8"	7"	5/8"	2-3/4"	4"	6"	17
		28	7"	13-3/8"	14-1/8"	8-1/4"	5/8"	2-3/4"	4"	6"	20
		29	7-7/8"	15-1/8"	16-1/8"	9-7/8"	3/4"	4"	6"	8"	40
		30	8-7/8"	17"	18-1/8"	10-7/8"	3/4"	4"	6"	8"	48
		31	9-3/4"	18-3/4"	20-1/8"	11-7/8"	3/4"	4"	6"	8"	54
		32	10-7/8"	21"	22-1/8"	11-3/4"	3/4"	6"	8"	8"	61
		33	12-1/8"	23-1/8"	24-1/8"	14-1/2"	7/8"	6"	8"	8"	89
		34	13"	25"	26-1/8"	15-1/2"	7/8"	6"	8"	8"	102
		35	14-3/4"	27-3/4"	28-1/8"	17-1/8"	1-1/8"	6"	8"	12"	110
		36	16-1/2"	31-1/2"	32-1/8"	19-1/4"	1-1/8"	6"	8"	12"	150

Notes: #1 - Models 29 to 36 (4) bolts; Models 23 to 28 (2) bolts  
 #2 - Material: Carbon Steel. Finish: One coat of paint.

CUSTOMER \_\_\_\_\_  
 PROJECT \_\_\_\_\_  
 ENGINEER \_\_\_\_\_  
 ARCHITECT \_\_\_\_\_  
 PRO. OR P.O. NO \_\_\_\_\_

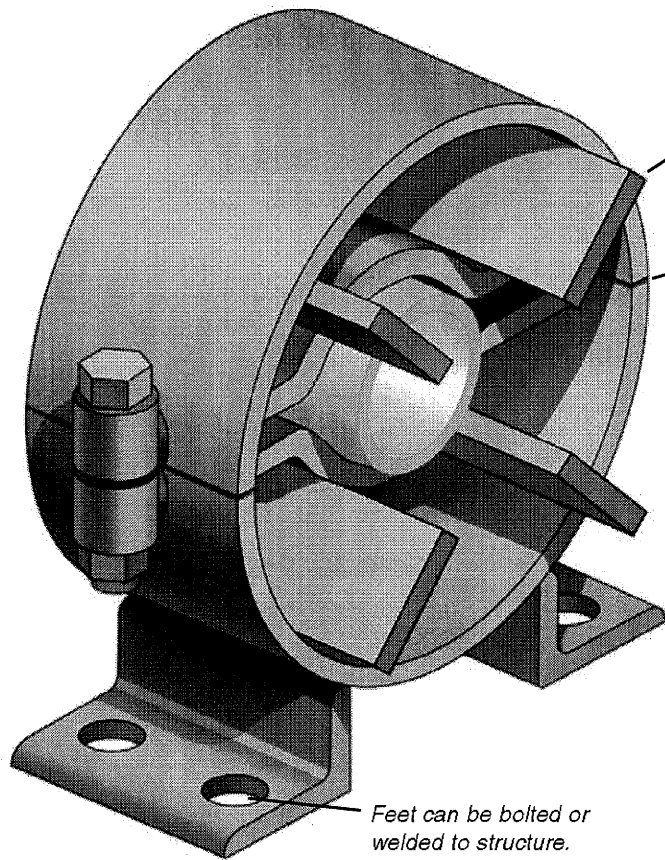
**Metraflex**  
 for pipes in motion  
 Chicago, IL

DESCRIPTION:  
**PIPE GUIDE STYLE IV**

DRAWN BY:  
**JRR**

DATE:  
**1/05**

DRAWING NO:  
**PG IV**



"Spider" spacers center pipe in housing and are sized to allow insulation to be packed around pipe.

Split housing for easy installation.

Feet can be bolted or welded to structure.

### Style IV Spider Type guide

Matched to pipe size and insulation thickness, the spider guide provides lateral stability to the pipe to prevent "bowing" and to ensure axial pipe movement in and out of the expansion joint. Extended spiders are available. These guides are not designed to support the weight of the pipe. The Metraflex style IV guides are available for pipe 1 inch to 24 inch diameter, insulation thicknesses 0 to 4 inches are standard, larger thicknesses are available, and axial movement up to 12 inches of travel. Add die-electric spacer for copper pipe.

### Model Selection Chart For Style IV Guides

Using insulation thickness, choose the Model # from this chart and note on drawing on the following page. Die-electric spacers recommended for copper pipe.

PIPE SIZE	INSULATION THICKNESS						
	1"	1-1/2"	2"	2-1/2"	3"	3-1/2"	4"
1/2"	23	23	24	26	26	26	27
3/4"	23	24	25	26	26	27	27
1"	23	24	25	26	26	27	27
1-1/4"	23	24	25	26	26	27	27
1-1/2"	24	24	25	26	26	27	27
2"	24	25	26	26	27	27	28
2-1/2"	25	25	26	26	27	27	28
3"	25	26	26	27	27	28	28
4"	26	26	27	27	28	28	29
5"	27	27	27	28	28	29	30
6"	27	27	28	28	29	30	30
8"	28	28	29	30	30	31	31
10"	30	30	30	31	31	32	32
12"	31	31	31	32	32	33	33
14"	32	32	32	32	33	33	34
16"	33	33	33	33	34	34	35
18"	34	34	34	34	35	35	-
20"	35	35	35	35	36	36	36
24"	36	36	36	36	-	-	-

When ordering Style IV guides, specify insulation thickness. Style IV available for Copper Tubing. Contact factory for pricing.