

BA-150/150S

3/8" - 3"

MSS SP-110

**BRONZE BALL VALVE
TWO-PIECE, STANDARD-PORT
600 PSIG WOG / 150 PSIG SWP (1)
SOLDER ENDS**

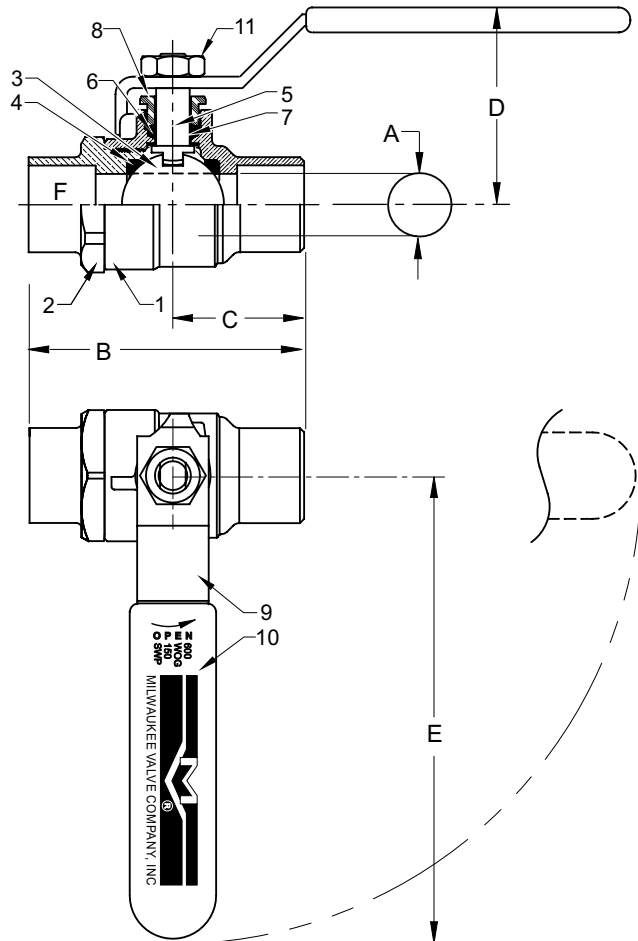
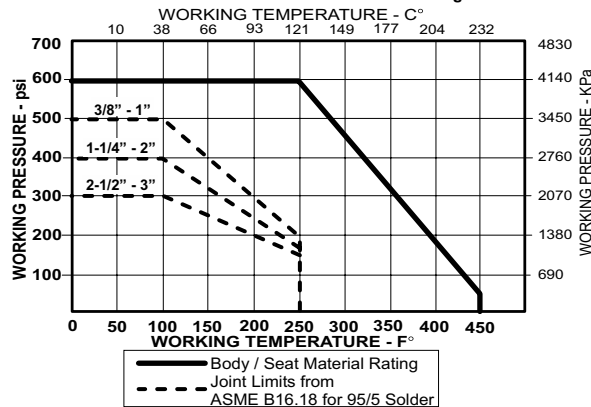
MATERIALS LIST

ITEM	PART	MATERIALS	ASTM SPEC.
1	Body	Cast Bronze	B584
2	Tailpiece	Brass (3)	B16
		Cast Bronze (1" & up)	B584
3	Ball	Brass w/ Hard Chrome Plating	B16
		316 Stainless Steel (2)	A276
4	Seat	RPTFE, 15% Glass Filled	
5	Stem	Brass	B16
		316 Stainless Steel (2)	A276
6	Thrust Washer	RPTFE, 25% Glass Filled	
7	Packing	PTFE	
8	Packing Nut	Brass	B16
9	Handle	Steel w/ Zinc Plating	Commercial
10	Hand Grip	Vinyl	
11	Handle Nut	Steel w/ Zinc Plating	Commercial

- (1) Please consult factory for more information regarding steam applications.
- (2) Ball and stem are stainless for BA-150S and 2-1/2"–3" BA-150.
- (3) All bronze construction available. Please consult factory for more information.

PRESSURE - TEMPERATURE DATA

VALVES RATED FOR VACUUM SERVICE TO 29 INCHES Hg.



DIMENSIONS

	UNITS	3/8"	1/2"	3/4"	1"	1-1/4"	1-1/2"	2"	2-1/2"	3"
		DN10	DN15	DN20	DN25	DN32	DN40	DN50	DN65	DN80
A (DIA)	INCHES	0.38	0.50	0.76	0.88	1.06	1.31	1.56	2.00	2.31
	mm	9.7	12.7	19.3	22.4	26.9	33.3	39.6	51.0	58.7
B	INCHES	2.10	2.39	3.05	3.71	4.54	5.00	6.25	7.34	8.16
	mm	51.5	58.6	74.7	90.9	111.2	122.5	153.1	179.8	199.9
C	INCHES	0.90	1.07	1.56	1.76	2.27	2.50	3.13	3.67	4.07
	mm	22.1	26.2	38.2	43.1	55.6	61.3	76.7	89.9	99.7
D	INCHES	1.80	1.89	2.13	2.29	2.67	2.85	3.02	3.47	3.88
	mm	44.1	46.3	52.2	56.1	65.4	69.8	74.0	85.0	95.1
E	INCHES	3.81	3.81	4.56	4.56	6.31	6.31	7.19	7.19	7.19
	mm	93.3	93.3	111.7	111.7	154.6	154.6	176.2	176.2	176.2
F	TUBE SIZE	.51	.63	.88	1.13	1.38	1.63	2.13	2.63	3.13
	SIZE Ø									
Cv		7	13	35	38	61	87	121	228	305

Note: DN (Diameter Nominal) = Metric equivalent size.

Rev. 12

The information presented on this sheet is correct at the time of publication. Milwaukee Valve reserves the right to change design, and/or material specifications without notice. For the most current information access www.milwaukeevalve.com

