

# BA-100/100S

# 1/4" - 3"

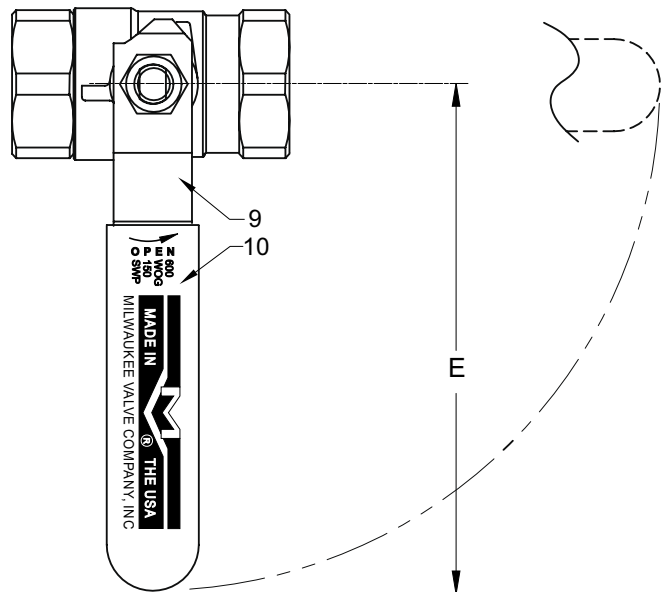
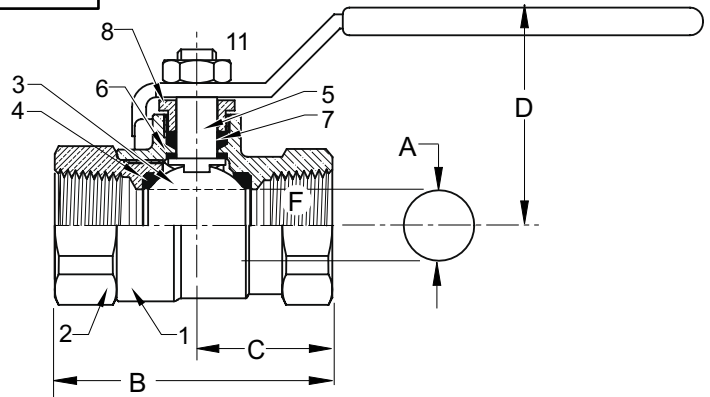
**BRONZE BALL VALVE  
TWO-PIECE, STANDARD-PORT  
600 PSIG WOG / 150 PSIG SWP \*  
THREADED ENDS**

MSS SP-110

## MATERIALS LIST

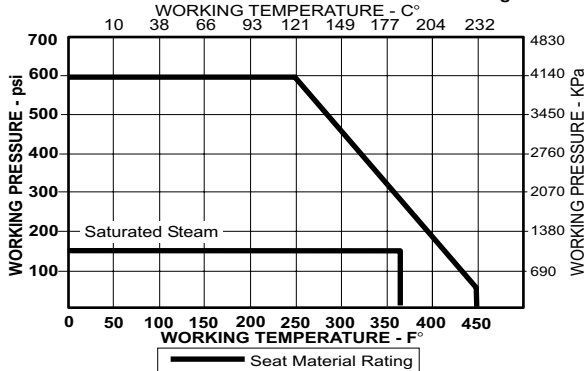
ITEM	PART	MODEL	MATERIALS	ASTM SPEC.
1	Body	100 & 100S	Cast Bronze	B584
2	Tailpiece	100 & 100S	Brass Cast Bronze (1" & up)	B16 B584
3	Ball	100	Brass w/ Hard Chrome Plating	B16
		100S	316 Stainless Steel	A276
4	Seat	100 & 100S	RPTFE, 15% Glass Filled	
5	Stem	100	Brass	B16
		100S	316 Stainless Steel	A276
6	Thrust Washer	100 & 100S	RPTFE, 25% Glass Filled	
7	Packing	100 & 100S	PTFE	
8	Packing Nut	100 & 100S	Brass	B16
9	Handle	100 & 100S	Steel w/ Zinc Plating	B633
10	Hand Grip	100 & 100S	Vinyl	
11	Handle Nut	100 & 100S	Steel w/ Zinc Plating	B633

\* Milwaukee Valve Company recommends the use of Stainless steel ball and stem for steam applications. Please consult factory for more information.



## PRESSURE - TEMPERATURE DATA

VALVES RATED FOR VACUUM SERVICE TO 29 INCHES Hg.



## DIMENSIONS

UNITS	1/4"	3/8"	1/2"	3/4"	1"	1-1/4"	1-1/2"	2"	2-1/2"	3"
	DN6	DN10	DN15	DN20	DN25	DN32	DN40	DN50	DN65	DN80
A (DIA)	INCHES	0.38	0.38	0.50	0.76	0.88	1.06	1.31	1.56	2.00
	mm	9.7	9.7	12.7	19.3	22.4	26.9	33.3	39.6	51.0
B	INCHES	1.86	1.86	2.19	2.64	3.17	3.50	3.96	4.30	5.56
	mm	45.6	45.6	53.7	64.7	77.7	85.8	97.0	105.4	136.2
C	INCHES	1.00	1.00	1.10	1.30	1.58	1.74	1.97	2.15	2.79
	mm	24.5	24.5	27.0	31.9	38.7	42.6	48.3	52.7	68.4
D	INCHES	1.78	1.81	1.91	2.08	2.25	2.66	2.84	3.00	3.47
	mm	43.6	44.3	46.8	51.0	55.1	65.2	69.6	73.5	85.0
E	INCHES	3.81	3.81	3.81	4.56	4.56	6.31	6.31	7.19	7.19
	mm	93.3	93.3	93.3	111.7	111.7	154.6	154.6	176.2	176.2
F	THREAD SIZE	1/4" NPT	3/8" NPT	1/2" NPT	3/4" NPT	1" NPT	1-1/4" NPT	1-1/2" NPT	2" NPT	2-1/2" NPT
	Cv	7	7	13	30	38	61	87	121	228

Note: DN (Diameter Nominal) = Metric equivalent size.

Rev. 7

The information presented on this sheet is correct at the time of publication. Milwaukee Valve reserves the right to change design, and/or material specifications without notice. For the most current information access [www.milwaukeevalve.com](http://www.milwaukeevalve.com)

