

## DESCRIPTION

- Metal construction with chrome plated finish
- Single handle, pressure balancing, four port, cycle valve
- 1/2" CC connections

## OPERATION

- Lever style handle
- Handle operates counterclockwise through a 270° arc with off at 6 o'clock and maximum hot at the 9 o'clock position. Shut off in clockwise direction
- Adjustable temperature limit stop to control maximum hot water temperature
- Pressure balancing mechanism maintains selected discharge temperature to  $\pm 2^\circ$

## CARTRIDGE

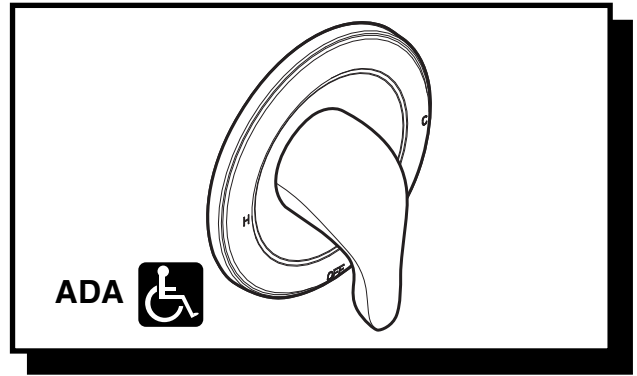
- 1222 cartridge design
- Nonmetallic/nonferrous and stainless steel materials
- Accommodates back to back installations

## STANDARDS

- Third party certified by CSA to meet CSA B-125, ASME A112.18.1M and all applicable requirements referenced therein and complies with the applicable requirements of ANSI A117.1

## WARRANTY

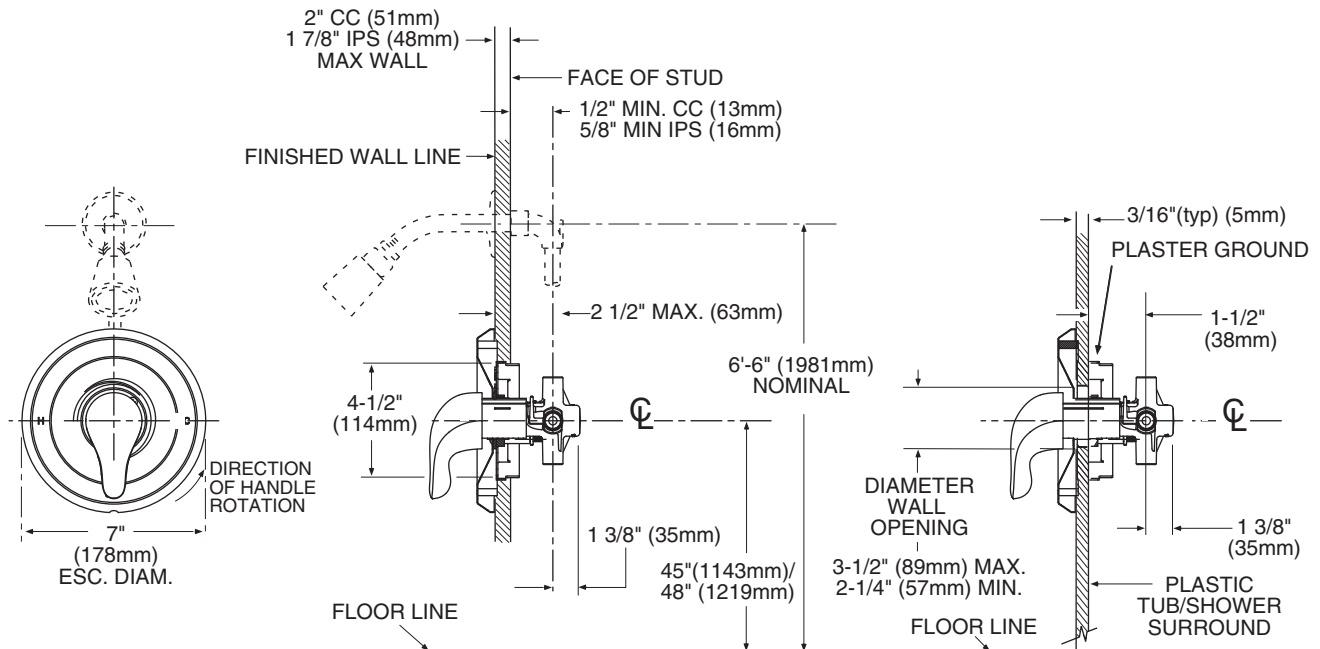
- Lifetime limited warranty against leaks, drips and finish defects to the original consumer purchaser
- 5 year warranty if used in commercial installations



## CHATEAU® POSI-TEMP® Single-Handle Tub/Shower Valve Only

Models: L2351

Model: L2361 (with 1/4 Turn Stops)



## CRITICAL DIMENSIONS

(DO NOT SCALE)



ADA symbol applies to shower valve control only.

## DESCRIPTION

- Metal construction with a chrome plated or LifeShine® polished brass finish
- Single handle, pressure balancing, four port, cycle valve
- 1/2" CC connections

## OPERATION

- Lever style handle
- Handle operates counterclockwise through a 270° arc with off at 6 o'clock and maximum hot at the 9 o'clock position. Shut off in clockwise direction
- Adjustable temperature limit stop to control maximum hot water temperature
- Pressure balancing mechanism maintains selected discharge temperature to ± 2°

## CARTRIDGE

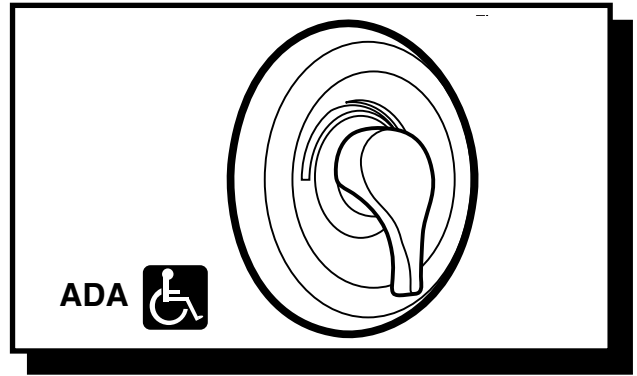
- 1222 cartridge design
- Nonmetallic/nonferrous and stainless steel materials
- Accommodates back to back installations

## STANDARDS

- Third party certified by CSA to meet CSA B-125, ASME A112.18.1M and all applicable requirements referenced therein and complies with the applicable requirements of ANSI A117.1

## WARRANTY

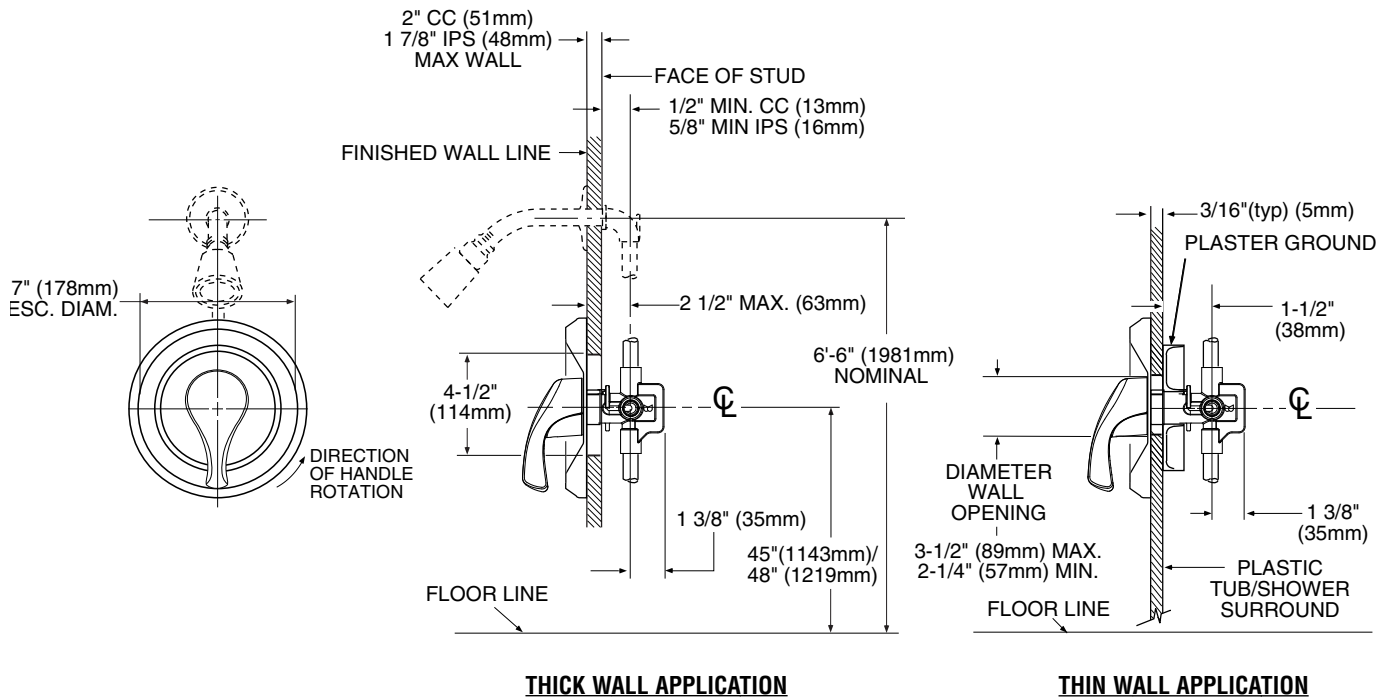
- Lifetime limited warranty against leaks, drips and finish defects to the original consumer purchaser
- 5 year warranty if used in commercial installations



## CHATEAU® POSI-TEMP® Single-Handle Tub/Shower Valve Only

Models: L2351, \*L2351P  
\*L2351P - Discontinued 2/1/2000

NOTE: See reverse side  
for illustrated parts



## CRITICAL DIMENSIONS

(DO NOT SCALE)



ADA symbol applies to shower valve control only.