

Rev. 2-11 Shaded area indicates change.

- Sizes –2", 2-1/2", 3", 4", 6", 8", 10", 12", 14", 16", 18", 20", 24"
- Ductile iron body and cover
- Epoxy coated interior & exterior for corrosion resistance
- Certified to NSF 61
- Stainless steel bolts
- Buna encapsulated steel flexible disc with nylon fabric reinforcement
- Vertical or horizontal (flow upwards) installation
- 250 psig (1724 kPa) maximum working pressure, 500 psig (3447 kPa) test pressure

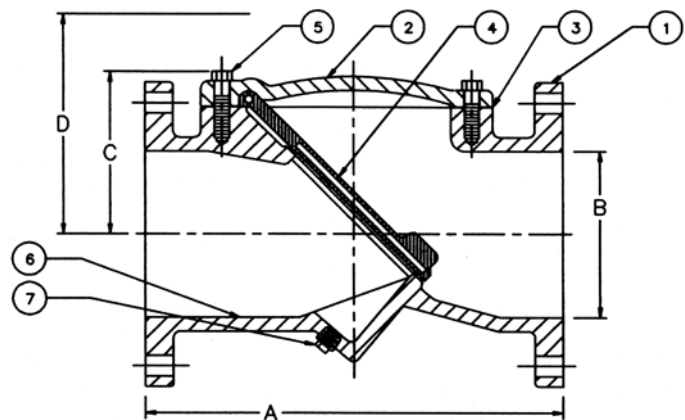


Options

- EPDM disc

Check Valve Parts

Part No.	Description	Material	Material Standard
1	Body	Ductile Iron	ASTM A536 GR. 65-45-12
2	Bonnet	Ductile Iron	ASTM A536 GR. 65-45-12
3	Gasket	Rubber	
4	Disc	Steel/Buna or EPDM	ASTM A-36/D-2000
5	Bonnet Bolts	Steel	SAE Grad 5
6	Interior Lining	Epoxy	
7	Plug	Malleable	



Dimensions**				
Valve Size*	A	B	C	D
2"	8.00	2.00	3.38	8.38
2-1/2"	8.50	2.50	3.38	8.38
3"	9.50	3.00	3.88	9.00
4"	11.50	4.00	4.63	9.63
5"	13.75	5.00	5.13	10.25
6"	15.00	6.00	5.88	11.00
8"	19.50	8.00	7.63	13.75
10"	24.50	10.00	9.88	16.00
12"	27.50	12.00	11.38	18.50
14"	31.00	14.00	13.38	20.50
16"	32.00	16.00	15.38	23.50
18"	36.00	18.00	17.13	25.25
20"	40.00	20.00	19.13	29.25
24"	18.00	24.00	22.75	32.75

Valve Size*	Weight**
2"	22
2-1/2"	30
3"	40
4"	71
5"	120
6"	125
8"	222
10"	372
12"	514
14"	696
16"	987
18"	1,340
20"	1,670
24"	2,147

*Nominal

**All dimensions are in inches. All weights are in pounds and are approximate.