

Gas Ball Valve

GB10 Female x Female, Lever Handle

- 1/2 PSI for indoor appliance connections per ANSI Z21.15 & CGA 9.1a
- 5 PSI for indoor shutoff per CGA 91-002 and ASME B16.44
- 400 PSI CWP Rated

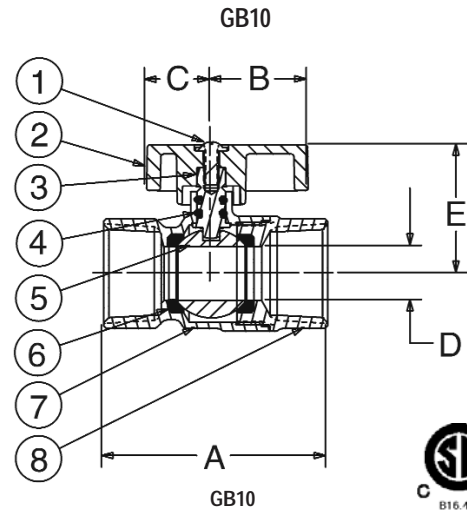
MATERIAL LIST

PART	SPECIFICATION
1. Screw	Steel, Plated
2. Handle	Painted Aluminum
3. Stem	Brass ASTM B 16 alloy C36000
4. O-Rings (2)	Fluorocarbon (FKM)
5. Ball	Chrome Plated Brass ASTM B 16 Alloy C36000
6. Seat Ring	TFM - 15% Glass Filled
7. Body	Forged Brass ASTM B 283 Alloy C37700
8. Body End Piece	Forged Brass ASTM B 283 Alloy C37700

DIMENSIONS—WEIGHT

Size	Dim. A	Dim. B	Dim. C	Dim. D	Dim. E	Weight
1/2"	2.33	0.71	1.05	0.44	1.29	.35
3/4"	2.45	0.71	1.05	0.59	1.41	.46

Note: For 3/8" and 1" valves, consult NIBCO Customer Service for specifications.



GB20 Female x Female, Square Head

- 1/2 PSI for indoor appliance connections per ANSI Z21.15 & CGA 9.2
- 5 PSI for indoor shutoff per CGA 91-002 and ASME B16.44
- 400 PSI CWP Rated

MATERIAL LIST

PART	SPECIFICATION
1. Screw	Steel, Plated
2. Handle	Painted Aluminum
3. Stem	Brass ASTM B 16 alloy C36000
4. O-Rings (2)	Fluorocarbon (FKM)
5. Ball	Chrome Plated Brass ASTM B 16 Alloy C36000
6. Seat Ring	TFM - 15% Glass Filled
7. Body	Forged Brass ASTM B 283 Alloy C37700
8. Body End Piece	Forged Brass ASTM B 283 Alloy C37700

DIMENSIONS—WEIGHT

Size	Dim. A	Dim. B	Dim. C	Dim. D	Dim. E	Weight
1/2"	2.33	0.75	0.50	0.44	1.73	.34
3/4"	2.38	1.41	1.93	.59	.98	.55

