

Bronze Ball Valves

Two-Piece Body • Full Port 1/4"-1" • Conventional Port 1 1/4"-3" •
Bronze Trim • Blowout-Proof Stem • UL Listed



250 PSI/17.2 Bar Non-Shock LP Gas per UL842

CONFORMS TO MSS SP-110 •

CSA CERTIFIED TO ANSI/ASME B 16.33 AND CGA 3.16
FOR NATURAL AND PROPANE GAS TO 125 PSIG (1/4"-1")

MATERIAL LIST

PART	SPECIFICATION
1. Handle Nut	Zinc Plated Steel
2. Handle	Zinc Plated Steel Clear Chromate Plastisol Coated
3. Threaded Pack Gland	Brass ASTM B 16 Alloy C36000
4. Packing	PTFE
5. Stem	Silicon Bronze ASTM B 371 Alloy C69430 or ASTM B 99 Alloy C65100
6. Thrust Washer	Reinforced PTFE
7. Ball	Brass ASTM B 124 Alloy C37700 or ASTM B16 Alloy C36000 EACH with Hard Chrome Plate
8. Seat Ring (2)	Reinforced PTFE
9. Body	Bronze ASTM B 584 Alloy C84400
10. Body End Piece	Bronze ASTM B 584 Alloy C84400



T-585-70-UL

1/4"-1" Full Port CSA
Threaded



T-580-70-UL

1 1/4"-3" Conventional Port
Threaded
UL Only



UL Listed For:

YSDT LP gas shut-off
YQNZ Compressed gas shut-off
YRPV Gas shut-off
YRBX Flammable liquid shut-off
MHKZ Manual valves

Service

A - Air or non-toxic, non-flammable gas
G - City gas supplied by public utilities
GA - Gasoline
LP - Liquefied petroleum gas, 250 PSI max.
02 - No. 1 and 2 fuel oil
04 - No. 4 fuel oil
05 - No. 5 fuel oil
06 - No. 6 fuel oil

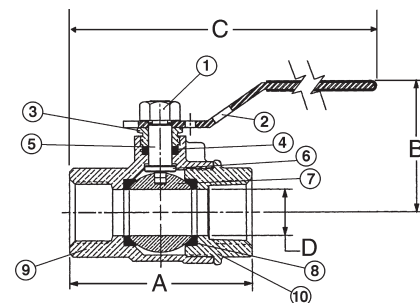
CUL Listed For:

YSDT7 LP gas shut-off for Canada

DIMENSIONS—WEIGHTS—QUANTITIES

Size	Dimensions				T-585-70-UL		Master
	A	B	C	D	T-580-70-UL	Lbs. Kg.	
In. mm.	In. mm.	In. mm.	In. mm.	In. mm.	Lbs. Kg.	Ctn. Qty.	
†1/4 8	2.00 51	1.75 44	5.00 127	.38 10	.45 .21	100	
†3/8 10	2.00 51	1.75 44	5.00 127	.38 10	.45 .20	100	
†1/2 15	2.44 62	1.88 48	5.19 132	.50 13	.64 .29	100	
†3/4 20	2.94 75	2.25 57	6.25 159	.75 19	1.33 .60	50	
†1 25	3.34 85	2.38 60	6.44 164	1.00 25	1.79 .81	40	
1 1/4 32	3.94 100	2.63 67	6.75 171	1.00 25	2.17 .98	20	
1 1/2 40	4.31 109	3.00 76	8.88 226	1.25 32	3.27 1.48	20	
2 50	4.63 118	3.16 80	9.06 230	1.50 38	5.09 2.31	10	
2 1/2 65	5.84 148	3.50 89	9.66 245	2.00 51	8.25 3.74	6	
3 80	7.09 180	4.41 112	11.53 293	2.50 64	15.65 7.10	4	

† NIBCO Supplies Full Port T-585-70-UL on this size.



T-585-70-UL
T-580-70-UL
NPT x NPT