

Class 125 Bronze Angle Valves

Screw-in Bonnet • Integral Seat • Renewable Seat and Disc

125 PSI/8.6 Bar Saturated Steam to 353° F/178° C
200 PSI/13.8 Bar Non-Shock Cold Working Pressure

CONFORMS TO MSS SP-80

MATERIAL LIST

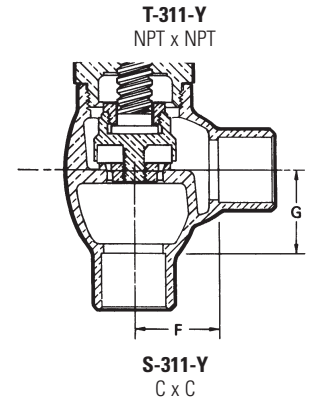
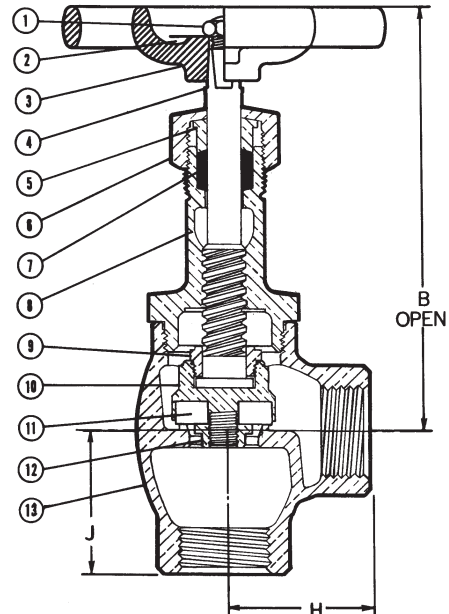
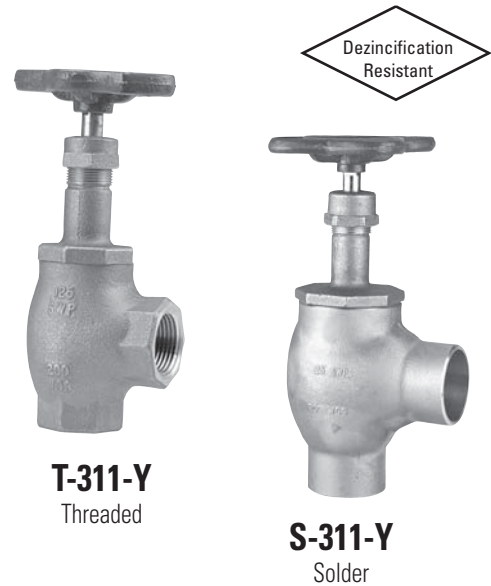
PART	SPECIFICATION
1. Handwheel Nut	300 Series Stainless Steel
2. Identification Plate	Aluminum
3. Handwheel	Malleable Iron ASTM A 47
4. Stem	Silicon Bronze ASTM B 371 Alloy C69400/C69430
5. Packing Gland	Bronze ASTM B 62 or ASTM B 584 Alloy C84400 or Brass ASTM B 16
6. Packing Nut	Bronze ASTM B 62 or ASTM B 584 Alloy C84400 or Brass ASTM B 16
7. Packing	Aramid Fibers with Graphite
8. Bonnet	Bronze ASTM B 62
*9. Disc Holder Nut	Bronze ASTM B 62 or B 140 Alloy C31400
10. Disc Holder	Bronze ASTM B 62
11. Seat Disc	Steam (PTFE) (Y)
12. Seat Disc Nut	Bronze ASTM B 62 w/SS Washer
13. Body	Bronze ASTM B 62

* 2½" and 3" are ASTM B 61

DIMENSIONS—WEIGHTS—QUANTITIES

Size	Dimensions						T-311		S-311		Master Ctn. Qty.	
	In.	mm.	In.	mm.	In.	mm.	In.	mm.	Lbs.	Kg.		
*¼	8	3.50	89	.94	24	1.19	30	0.98	0.44	0.82	0.37	50
*⅜	10	3.50	89	.88	22	1.19	30	0.93	0.42	0.82	0.37	50
*½	15	3.50	89	.88	22	1.31	33	1.01	0.46	0.95	0.43	30
¾	20	4.94	126	1.13	29	1.56	40	1.70	0.77	1.71	0.78	20
1	25	5.75	146	1.44	37	1.88	48	2.82	1.28	2.79	1.27	10
1¼	32	6.13	156	1.50	38	2.19	51	3.76	1.70	3.77	1.71	10
1½	40	7.25	179	1.75	45	2.38	60	5.79	2.63	4.70	2.13	6
2	50	8.13	206	2.16	55	2.81	72	8.76	3.97	8.73	3.96	4
2½	65	10.56	268	2.69	68	3.19	81	16.13	7.32	16.13	7.32	2
3	80	11.19	284	3.25	83	3.88	99	21.72	9.85	21.32	9.67	2

* Stem and Disc or Disc Holder are integral. No packing gland, packing only in these sizes.



Freezing Weather Precaution – Subsequent to testing a piping system, valves should be in an open position to allow complete drainage.

◆ For detailed Operating Pressure, refer to Pressure Temperature Chart on page 111.